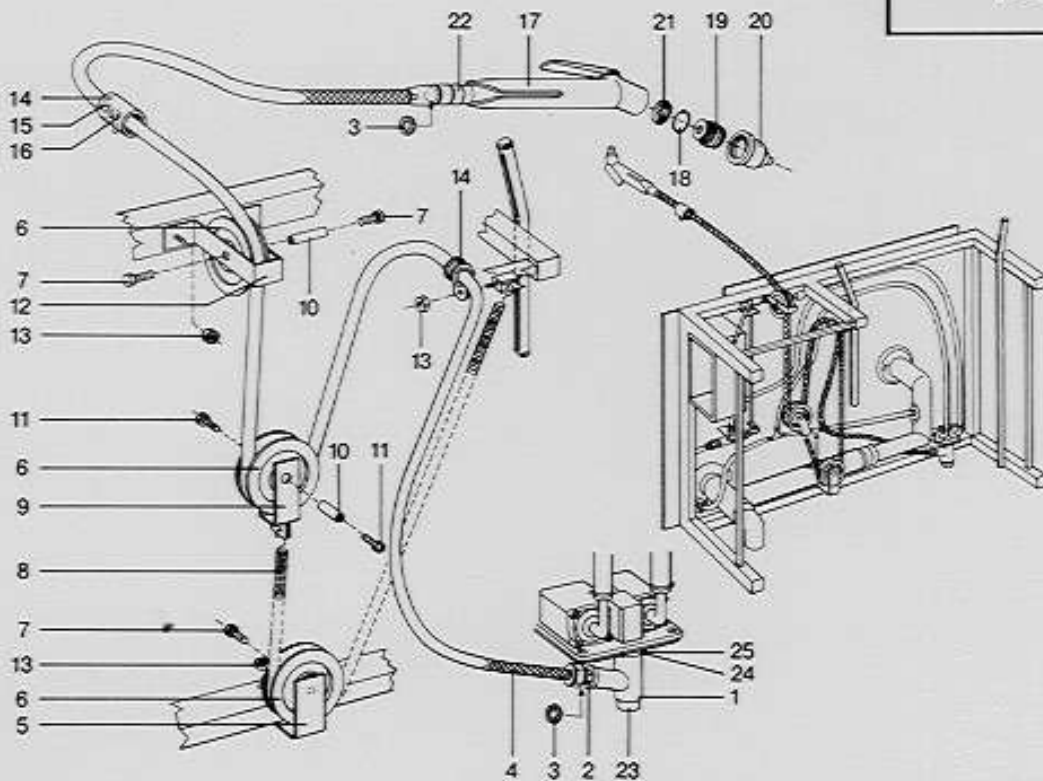


**Bottom (Hand Shower)**

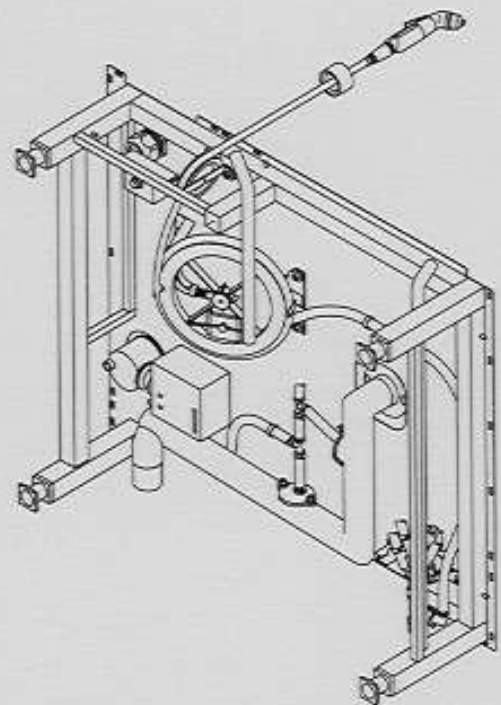
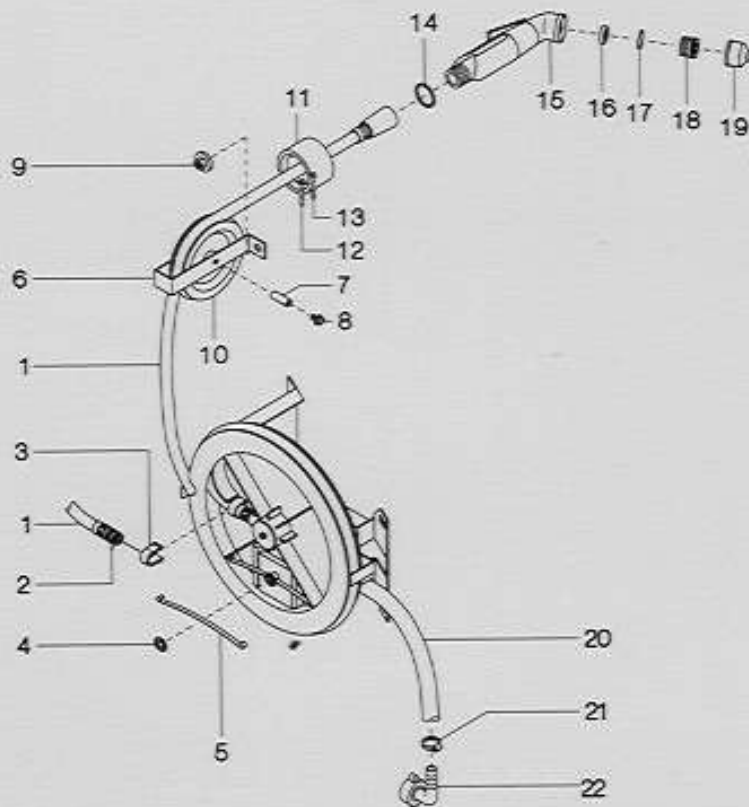
Component Group	Page	Edition	applicable from Serial No.
<b>10</b>	<b>10.3</b>	<b>10.3.1</b>	<b>20189041125</b>



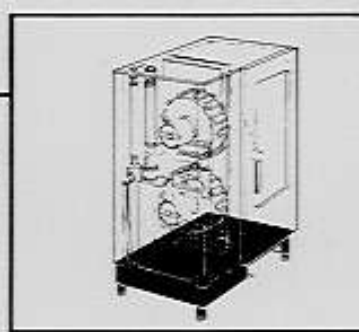
Pos.	Pcs.	Sp.	Part No.	Description	Sign	Pos.	Pcs.	Sp.	Part No.	Description	Sign
1	1		2036.0501	T-fitting		-	1		8630.0106	holder 3 complete (pos. 6, 7, 10, 12)	
2	1		2062.0103	reducing nipple		-	1		8630.0109	T-part complete (pos. 2, 23, 24, 25)	
3	2		5012.0536	gasket							
4	1		2067.0601	shower hose with gasket							
5	1		8630.0102	holder 4, welded							
6	3		2060.0112	hose reel							
7	3		1005.2000	ratchet safety screw							
8	1		2002.0402	tension spring 600 mm							
9	1		8630.0103	bow, welded							
10	3		2060.0115	axle							
11	2		1005.0126	countersunk head screw M 5x6							
12	1		2510.640687	holder 3							
13	5		1106.0801	hex combi-nut M6							
14	1		2060.0113	tube 2 for hand shower							
15	1		1004.0664	hex socket head cap screw M 4x16							
16	1		1004.0430	head screw M 4x16							
17	1		2060.0100	hand shower with guide complete (pos. 18, 19, 20, 21)							
18	1		2060.0217	O-ring gasket							
19	1		2060.0216	head screw							
20	1		2060.0215	mouthpiece							
21	1		2060.0218	gasket for hand shower							
22	1		2060.0110	revolving joint							
23	1		1500.1579	reducing nipple							
24	1		2036.0101	tube screw connection							
25	1		5012.0529	gasket							
-	1		8630.0108	bow complete (pos. 6, 9, 11)							
-	1		8630.0107	holder 4 complete (pos. 5, 6, 7, 10)							

**Bottom (Hand Shower)**

Voltage	Group	Page	Edition	Application from Serial. No.
<b>3 N AC 380V 50Hz</b>	<b>10</b>	<b>10.3</b>	<b>10.3.2</b>	<b>20193011001</b>

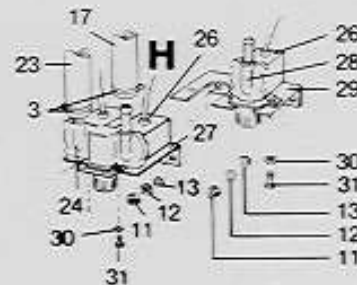
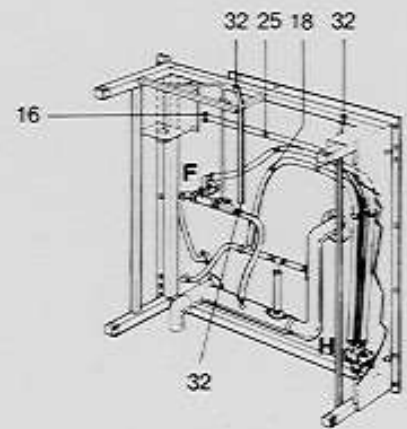
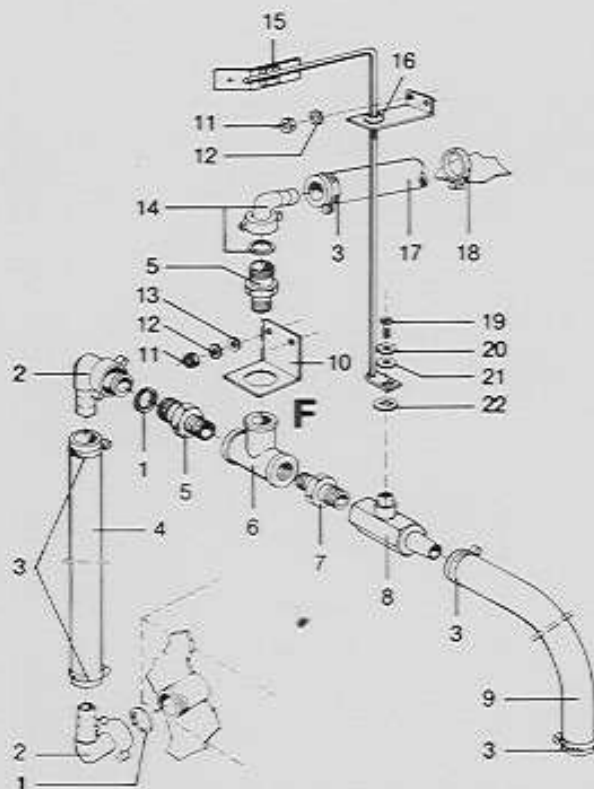


Pos.	Pcs.	Sp.	Part No.	Description	Sign.
-	1		8410.1013	hand shower roll guide cpl.	
-	1		8630.0106	holder for hose reel cpl. (pos. 6,7,8,10)	
1	1		2067.0605	shower hose	
2	2		2060.0228	gasket for shower hose	
3	1		2060.0152	climp for shower hose	
4	1		2001.0203	lock washer	
5	1		2001.0202	fastening spring	
6	1		2510.640687	holder for hose reel	
7	1		2016.0878	axle for hose reel	
8	2		1005.2000	safety screw M5x8	
9	2		1106.0801	hex-combi-nut M6	
10	1		2060.0112	hose reel	
11	1		2060.0121	tulip	
12	1		1004.0430	slotted countersunk screw M4x16	
13	1		1004.0664	hex socket head screw M4x16	
14	1		5012.0536	gasket for shower hose	
15	1		2060.0100	hand shower cpl. (incl. pos. 16,17,18,19)	
16	1		2060.0218	gasket	
17	1		2060.0217	O-ring	
18	1		2060.0216	head screw	
19	1		2060.0215	mouthpiece	
20	1		2067.0060	pressure hose 900mm long	
21	2		2066.0205	hose clamp 12-18mm	
22	1		2062.0203	threaded pipe angle G3/4"	

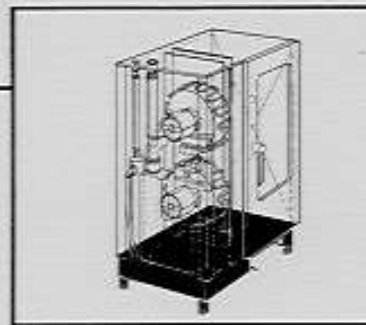


**Bottom (Lower elevation)**

Component Group	Page	Edition	applicable from Serial No.
<b>10</b>	<b>10.2</b>	<b>10.2.1</b>	<b>20186 011001</b>

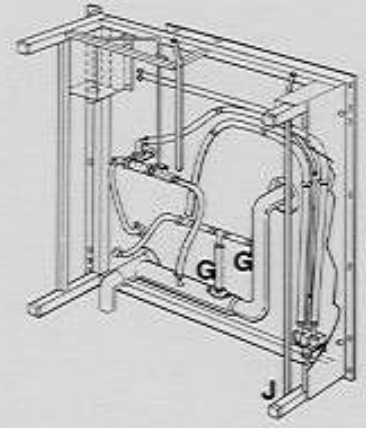
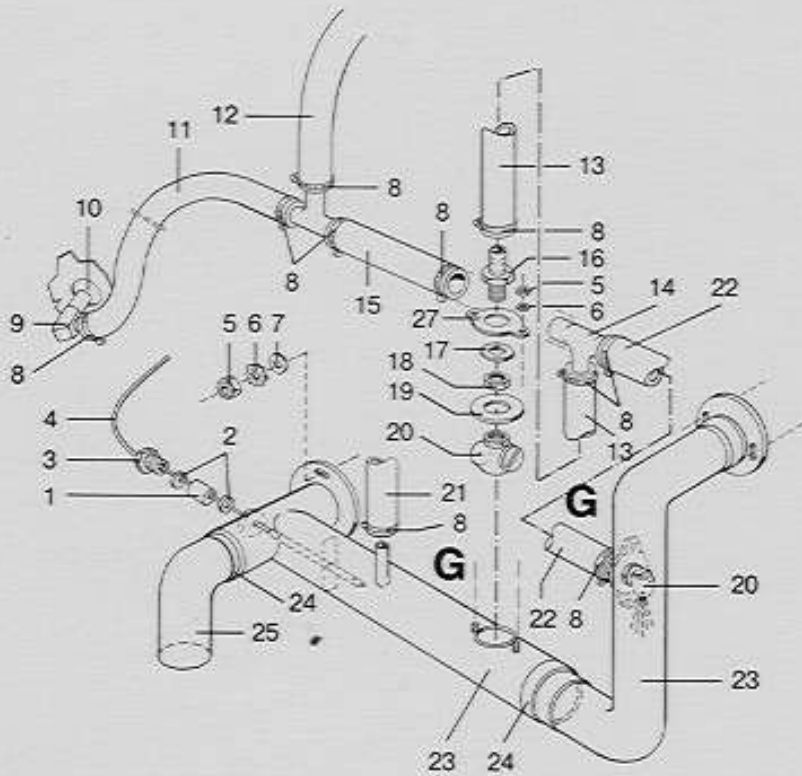


Pos.	Pcs.	Sp.	Part No.	Description	Sign	Pos.	Pcs.	Sp.	Part No.	Description	Sign
1	2		5012.0529	sealing ring for elbow fitting		28	2		3002.0301	body for 2 single solenoid valves (option)	
2	2		2062.0200	elbow fitting G 3/4"		29	1		2580.910401	holder for 2 single solenoid valves (option)	
3	7		2066.0202	hose clamp 12 - 22 mm		30	2		1204.0120	toothed lock washer A 4,3	
4	1		2067.0306	pressure hose 115 mm long		31	4		1004.0660	hex socket head cap screw M 4x10	
5	2		1500.1579	reducing nipple G 1/2" x G 3/4"		32	3		2039.0204	plastic cap	
6	1		2036.0501	T-fitting G 1/2"							
7	1		2062.0103	double nipple G 1/2"							
8	1		2062.0100	ball valve							
9	1		2067.0305	pressure hose 270 mm long							
10	1		2580.730385	holder for T-fitting							
11	6		1106.0160	hex nut M6							
12	6		1206.0120	toothed lock washer A 6,4							
13	6		1306.0221	washer A 6,4							
14	1		2062.0203	elbow fitting G 3/4"							
15	1		4006.0202	cable clamp							
16	2		2022.0101	grommet							
17	1		2067.0115	pressure hose 1220 mm long							
18	6		4006.0203	cable clamp							
19	1		1006.0300	slotted raised countersunk head screw							
20	1		1205.0120	toothed lock washer A 5,3							
21	1		1305.0260	washer A 5,3							
22	1		1308.0560	washer							
23	1		2067.0113	pressure hose 1120 mm long							
24	1		3002.0314	body for double solenoid valve							
25	4		4006.0201	cable clamp							
26	2		3002.0324	coil for solenoid valve							
27	1		2580.720384	holder for double solenoid valve							



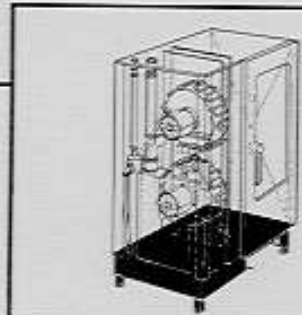
**Bottom (Lower elevation)**

Component Group	Page	Edition	applicable from Serial No.
<b>10</b>	<b>10.1</b>	<b>10.1.2</b>	<b>201 88 01 1014</b>



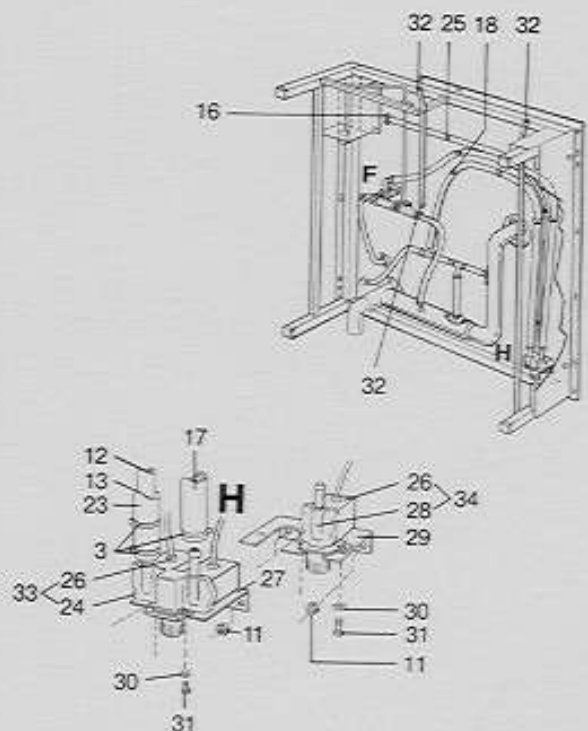
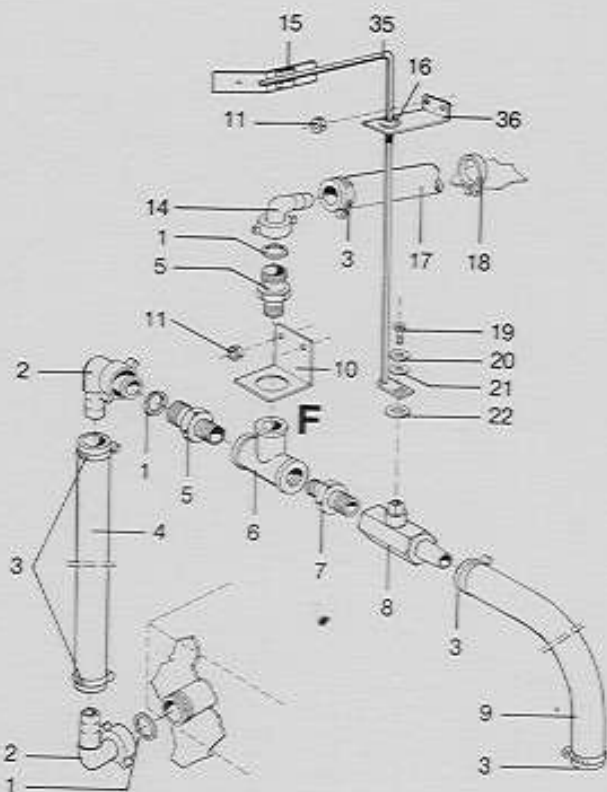
Pos.	Pcs.	Sp. Part No.	Description	Sign	Pos.	Pcs.	Sp. Part No.	Description	Sign
-	2	8612.0102	quench nozzle complete (pos. 16,17,27,18,19,20)		25	1	2070.0007	elbow pipe	
1	1	3014.0303	stuffing box packing		26	4	2039.0111	foot adjustable	
2	2	3014.0304	washer		27	2	2070.0021	cover for quench nozzle	
3	1	3014.0305	stuffing box nipple						
4	1	3014.0312	thermostat	P4					
			quenching system						
5	4	1106.0160	hex nut M6						
6	4	1206.0120	toothed lock washer A 6,4						
7	2	1306.0221	washer A 6,4						
8	10	2066.0202	hose clamp 12-22 mm						
9	1	2062.0301	plastic elbow fitting						
10	1	2022.0101	grommet						
11	1	2067.0106	pressure hose 380 mm long						
12	1	2067.0113	pressure hose 1120 mm long						
13	1	2067.0114	pressure hose 150 mm long						
14	2	2062.0302	T-fitting						
15	1	2067.0114	pressure hose 150 mm long						
16	2	2062.0102	hose fitting G 3/8"						
17	2	5012.0532	O-ring gasket						
18	2	2580.600594	washer						
19	3	2070.0020	gasket						
20	2	2016.0900	quench nozzle						
21	1	2067.0305	pressure hose 270 mm long						
22	1	2067.0107	pressure hose 105 mm long						
23	1	2070.0015	drain pipe complete						
24	2	2070.0013	sealing element						



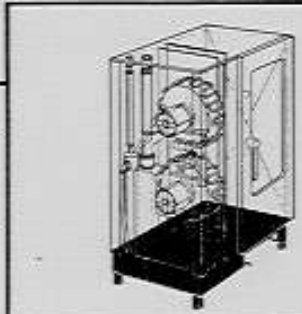


**Bottom (Lower elevation)**

Component Group	Page	Edition	applicable from Serial No.
<b>10</b>	<b>10.2</b>	<b>10.2.2</b>	<b>201 89 04 1125</b>

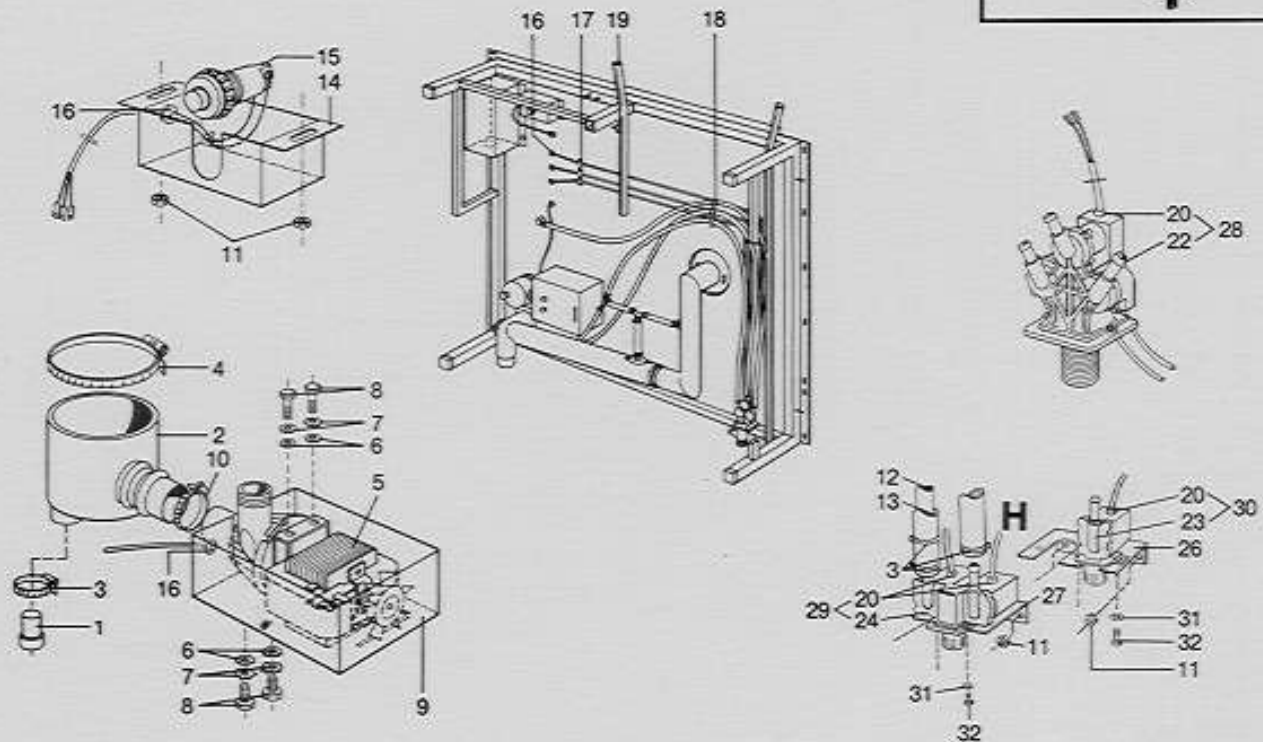


Pos.	Pcs.	Sp. Part No.	Description	Sign	Pos.	Pcs.	Sp. Part No.	Description	Sign
-	1	8611.0101	T-fitting with ball valve (pos. 8, 7, 6, 5, 10)		24	1	3002.0314	body for double solenoid valve	
1	3	5012.0529	sealing ring for elbow fitting		25	4	4006.0201	cable clamp	
2	2	2062.0200	elbow fitting G 3/4"		26	2	3002.0324	coil for solenoid valve	
3	8	2066.0202	hose clamp 12 - 22 mm		27	1	2580.720384	holder for double solenoid valve	
4	1	2067.0306	pressure hose 115 mm long		28	2	3002.0301	body for 2 single solenoid valves (option)	
5	2	1500.1579	reducing nipple G 1/2" x G 3/4"		29	1	2580.910401	holder for 2 single solenoid valves (option)	
6	1	2036.0501	T-fitting G 1/2"		30	2	1204.0120	toothed lock washer A4,3	
7	1	2062.0103	double nipple G 1/2"		31	2	1004.0660	hex socket head cap screw M 4x10	
8	1	2062.0100	ball valve		32	3	2039.0204	plastic cap	
9	1	2067.0305	pressure hose 270 mm long		33	1	3002.0304	double solenoid valve complete	
0	1	2580.730385	holder for T-fitting		34	2	3002.0305	single solenoid valve complete	
1	6	1106.0801	hex combi nut M6		35	1	8410.0101	lever for ball valve	
2	1	1900.0102	flow regulator (red)		36	1	2580.740386	holding strap for lever for ball valve	
3	1	2016.0867	socket for flow regulator						
4	1	2062.0203	elbow fitting G 3/4"						
5	1	4006.0202	cable clamp						
6	2	2022.0101	grommet						
7	1	2067.0115	pressure hose 1220 mm long						
8	6	4006.0203	cable clamp						
9	1	1006.0300	slotted raised countersunk head screw						
0	1	1205.0120	toothed lock washer A5,3						
1	1	1305.0260	washer A5,3						
2	1	1308.0560	washer						
3	1	2067.0113	pressure hose 1120 mm long						



**Bottom (Lower elevation)**

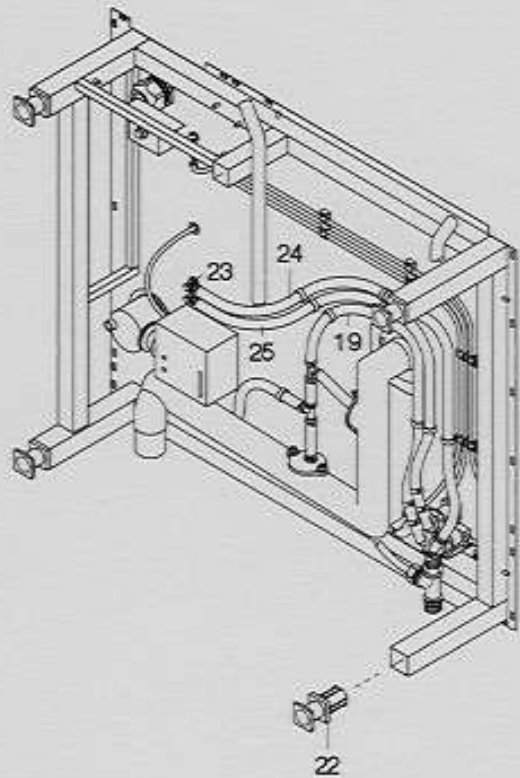
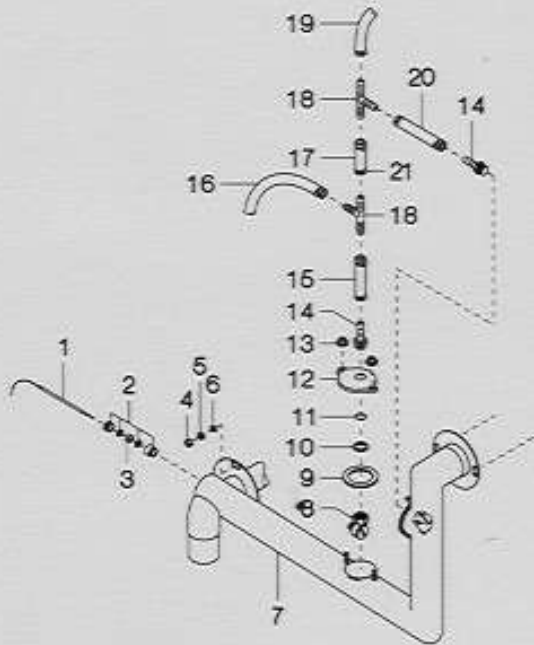
Component Group	Page	Edition	applicable from Serial No.
<b>10</b>	<b>10.2</b>	<b>10.2.3</b>	<b>20189104001</b>



Pos.	Pcs.	Sp.	Part No.	Description	Sign	Pos.	Pcs.	Sp.	Part No.	Description	Sign
1	1		2016.0873	stopper for pump connection		27	1		2580.720384	holder for triple solenoid valve	
2	1		2022.0110	pump connection		28	1		3002.0311	triple solenoid valve complete	
3	4		2066.0202	hose clamp 12 - 22 mm		29	1		3002.0304	double solenoid valve complete	
4	1		2066.0505	hose clamp 70 - 90 mm		30	1		3002.0305	single solenoid valve complete	
5	1		3002.1000	discharging pump		31	2		1204.0120	toothed lock washer A4,3	
6	4		1306.0120	washer A6,4		32	2		1004.0660	hex socket head screw M 4x10	
7	4		1206.0120	toothhead lock washer A6,4							
8	4		1006.1960	socket countersunk head screw M 6x16							
9	1		2510.690995	cover for discharging pump							
10	1		2066.0506	hose clamp							
11	4		1106.0801	hex-combi-nut M6							
12	1		1900.0102	flow regulator (red)							
13	1		2016.0867	socket for flow regulator							
14	1		2581.020843	holder for pushbutton							
15	1		3016.1352	pushbutton							
16	9		2022.0101	grommet							
17	10		4006.0201	cable clamp							
18	8		4006.0203	cable clamp							
19	3		2039.0204	plastic cap							
20	3		3002.0324	coil for solenoid valve							
22	1		3002.0315	body for triple solenoid valve							
23	1		3002.0301	body for single solenoid valve (option)							
24	1		3002.0314	body for double solenoid valve (option)							
26	1		2580.910401	holder for 1 single solenoid valve and 1 double solenoid valve (option)							

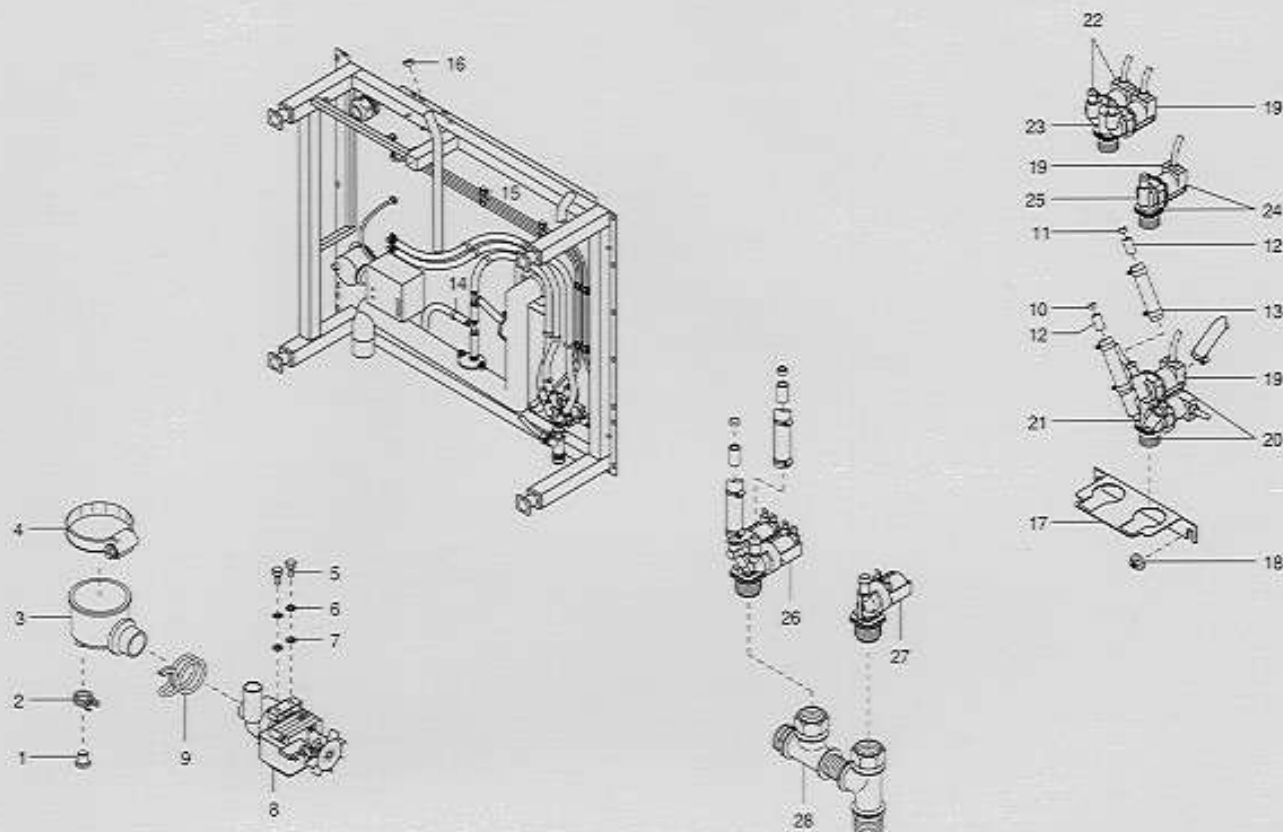
**Bottom (Lower elevation)**

Voltage	Group	Page	Edition	Application from Serial. No.
<b>3 N AC 380V 50Hz</b>	<b>10</b>	<b>10.1</b>	<b>10.1.4</b>	<b>20191042001</b>



Pos.	Pcs.	Sp. Part No.	Description	Sign.
-	2	8612.0102	quenching nozzle cpl. (pos.8,9,10,11,12,14)	
1	1	3014.0312	thermostat quenching	P4
2	1	4007.0600	cabl connection PG9	
3	1	2022.0100	gasket	
4	2	1106.0160	hex nut M6	
5	2	1206.0120	toothed lock washer A6,4	
6	2	1306.0221	washer A6,4	
7	1	2070.0039	drain system cpl.	
8	2	2016.0900	quenching nozzle	
9	2	2070.0020	gasket	
10	2	2580.600594	washer	
11	2	5012.0532	gasket	
12	2	2070.0021	cover	
13	4	1106.0801	hex-combi-nut M6	
14	2	2062.0102	hose fitting G3/8"	
15	1	2067.0127	pressure hose 80mm long	
16	1	2067.0152	pressure hose 400mm long	
17	1	2067.0150	pressure hose 60mm long	
18	2	2062.0302	T-fitting	
19	1	2067.0123	pressure hose 700mm long	
20	1	2067.0107	pressure hose 105mm long	
21	16	2066.0205	hose clamp 12-18mm	
22	4	2039.0111	foot adjustable	
23	2	2062.0301	plastic elbow fitting	
24	1	2067.0115	pressure hose 1220mm long for steam generator rinsing	
25	1	2067.0153	pressure hose 950mm long for steam generator filling	

<b>Bodengruppe</b> (Unterseite)	Spannung	Baugruppe	Ausgabe	gültig ab Seriennummer
<b>Bottom</b> (Lower elevation)	Voltage	Group	Edition	Applicable from Serial.No.
	3 N AC 400V 50Hz	10	10.2.5	20196011001

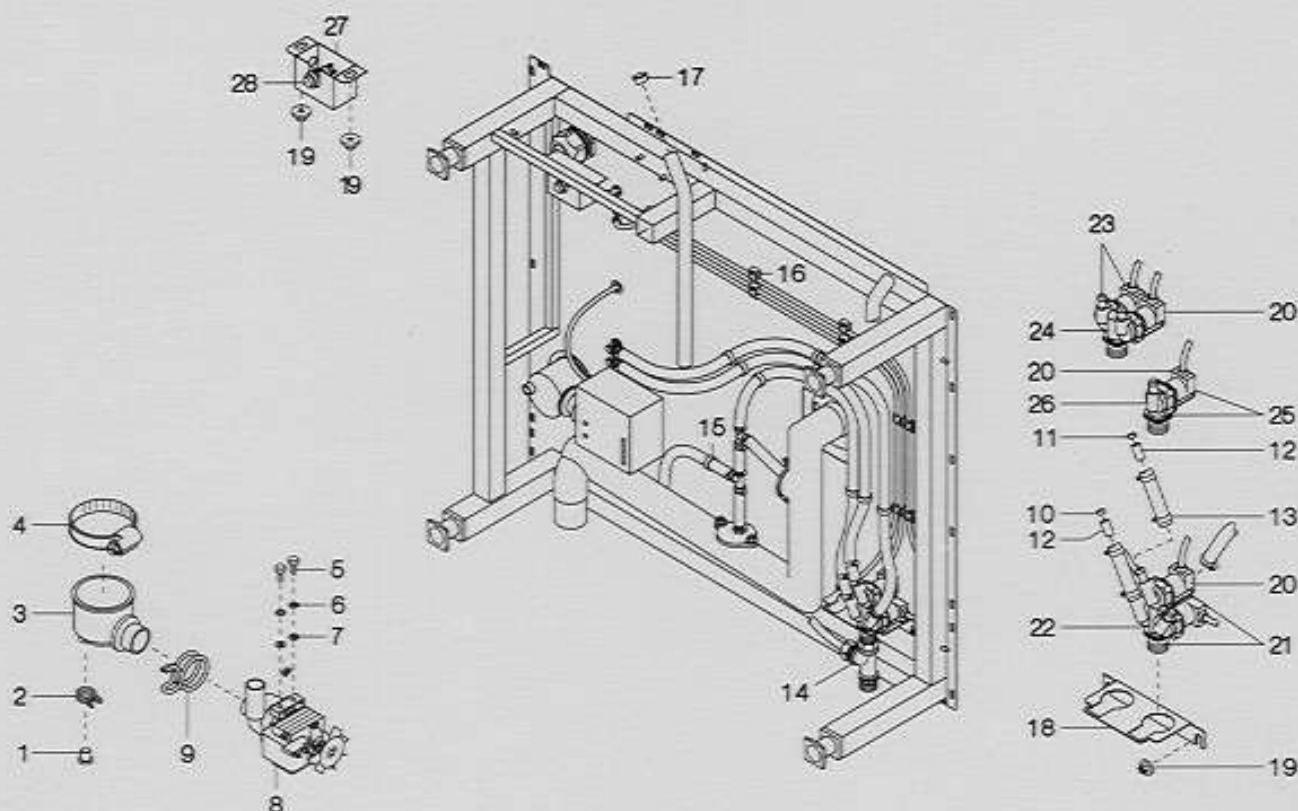


Pos.	St.	Ersatz.Nr.	Bezeichnung	Description
Pos.	Pcs.	Sp. Part No.		
-	-	2067.0050	Druckschlauch NW10 1 lfm.	Pressure hose NW10 per meter
1	1	2016.0873	Stopfen für Pumpenanschluß	Plug for pump connection
2	1	2066.0517	Schlauchklemme 18,2mm	Hose clamp 18,2mm
3	1	2022.0110	Pumpenanschluss ab 04/91	Pump connection from 04/91
4	1	2066.0516	Schlauchschelle 60-80mm	Hose clamp 60x80 mm
5	2	1006.1960	Senkschraube mit Innensechskant M6x16	Hex socket countersunk head screw M6x16
6	2	1206.0120	Zahnscheibe A6,4	Toothed lock washer A6,4
7	2	1306.0120	Unterlegscheibe A6,4 DIN125	Washer A6,4
8	1	3002.1000	Entleerungspumpe 200-240 V, 50/60 Hz	Emptying pump 200-240V 50/60 Hz
9	1	2066.0519	Schlauchklemme d 35,6 mm	Hose clamp 35,6mm
10	1	1900.0102	Durchflußmengenregler rot, Typ 201	Flow controller red
11	1	1900.0103	Durchflußmengenregler orange, Typ 20	Flow controller orange
12	2	2016.0867	Aufnahme für Durchflußmengenregler	Socket for flow controller
13	5	2066.0205	Schlauchschelle 12-18 mm	Hose clamp 12-18 mm
14	10	4006.0203	Befestigungsschelle PL-KK PA 6 FL	Fixing clip for pressure hose
15	8	4006.0201	Kabelbefestigung Magnetventil schwarz 10 Stk.	Fixing clip for solenoid cable 10 ea
16	3	2039.0204	PVC-Lamellenkappe Typ 201/20	PVC- end cap type 201/20
17	1	2580.721120	Haltewinkel für Zweifachmagnetventil ab 04/91	Bracket for double solenoid valve from 04/91
18	4	1106.0801	Sechskant-Combi-Mutter M6	Hex combination nut M6
19	-	3002.0329	Magnetventilspule 220-240V 50/60Hz	Coil for solenoid valve 220-240V 50/60Hz
20	1	3002.0328	Dreifachmagnetventil kpl.	Triple solenoid valve cpl.
21	-	3002.0315	Gehäuse für Dreifachmagnetventil	body for triple solenoid valve
22	-	3002.0327	Doppelmagnetventil kpl. (Option)	Double solenoid valve cpl. (option)
23	-	3002.0314	Gehäuse für Doppelmagnetventil (Option)	body for double solenoid valve (option)
24	-	3002.0305	Einfachmagnetventil kpl. (Option)	Single solenoid valve cpl. (option)
25	-	3002.0301	Gehäuse für Einfachmagnetventil (Option)	Body for single solenoid valve (option)
<b>ab Seriennummer 2019603XXXX</b>				<b>from serial. no. 2019603XXXX</b>
26	1	3002.0330	Doppelmagnetventil kpl.	Double solenoid valve cpl.
27	1	3002.0331	Einfachmagnetventil kpl.	Single solenoid valve cpl.
28	1	8621.0100	Fittingsatz Wasseranschluß	Fitting set water connection

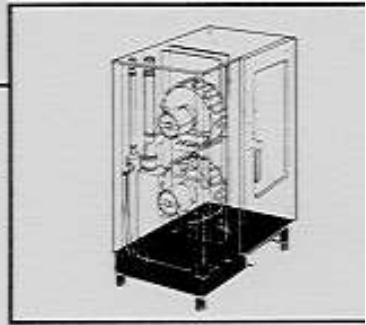


**Bottom (Lower elevation)**

Voltage	Group	Page	Edition	Application from Serial. No.
3 N AC 380V 50Hz	10	10.2	10.2.4	20191042001

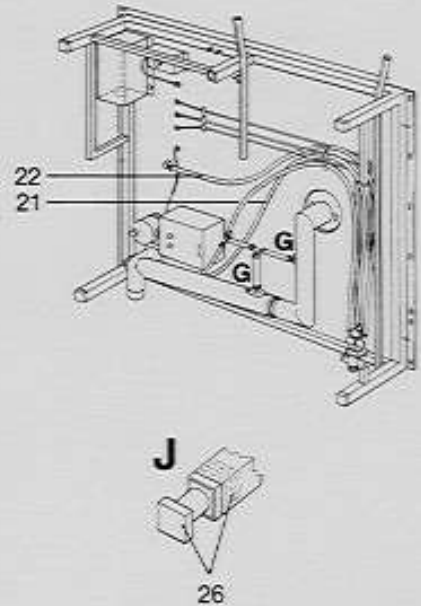
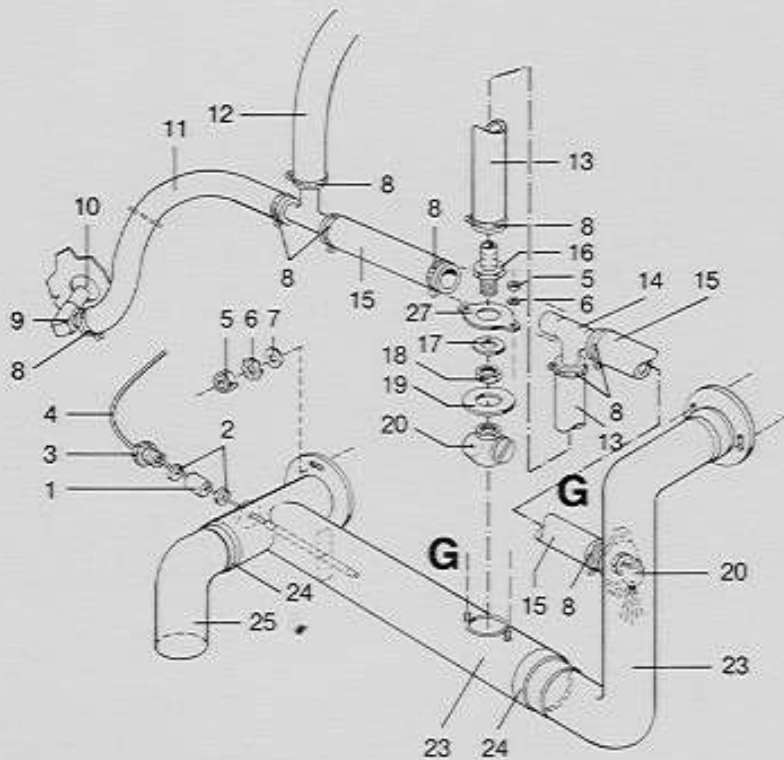


Pos.	Pcs.	Sp. Part No.	Description	Sign.	Pos.	Pcs.	Sp. Part No.	Description	Sign.
1	1	2016.0873	end cap for pump connection		27	1	2581.020843	holder for push bottom	
2	1	2066.0517	hose clamp 18,2mm		28	1	3016.1352	push bottom	S3
3	1	2022.0110	pump connection						
4	1	2066.0516	hose clamp 60-80mm						
5	2	1006.1960	hex screw M6x16						
6	2	1206.0120	toothed lock washer A6,4						
7	2	1306.0120	washer A6,4						
8	1	3002.1000	discharging pump						
9	1	2066.0519	hose clamp 35,6mm						
10	1	1900.0102	flow regulator red for quenching						
11	1	1900.0103	flow regulator orange for steam generator filling						
12	2	2016.0867	socket for flow regulator						
13	5	2066.0205	hose clamp 12-18mm						
14	1	8621.0100	set water connection						
15	10	4006.0203	fixing clamp for solenoid cable						
16	8	4006.0201	fixing clip for pressure hose						
17	3	2039.0204	plastic cap						
18	1	2580.721120	bracket holder solenoid valve						
19	2	1106.0801	hex-combi-nut M6						
20	3	3002.0329	coil for solenoid valve						
21	1	3002.0328	triple solenoid valve cpl.						
22	1	3002.0315	body for triple solenoid valve						
23	1	3002.0327	double solenoid valve cpl. (option)						
24	1	3002.0314	body for double solenoid valve (option)						
25	1	3002.0305	single solenoid valve cpl. (option)						
26	1	3002.0301	body for single solenoid valve (option)						

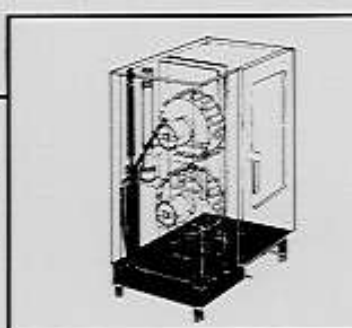


**Bottom (Lower elevation)**

Component Group	Page	Edition	applicable from Serial No.
<b>10</b>	<b>10.1</b>	<b>10.1.3</b>	<b>201 89 10 4001</b>

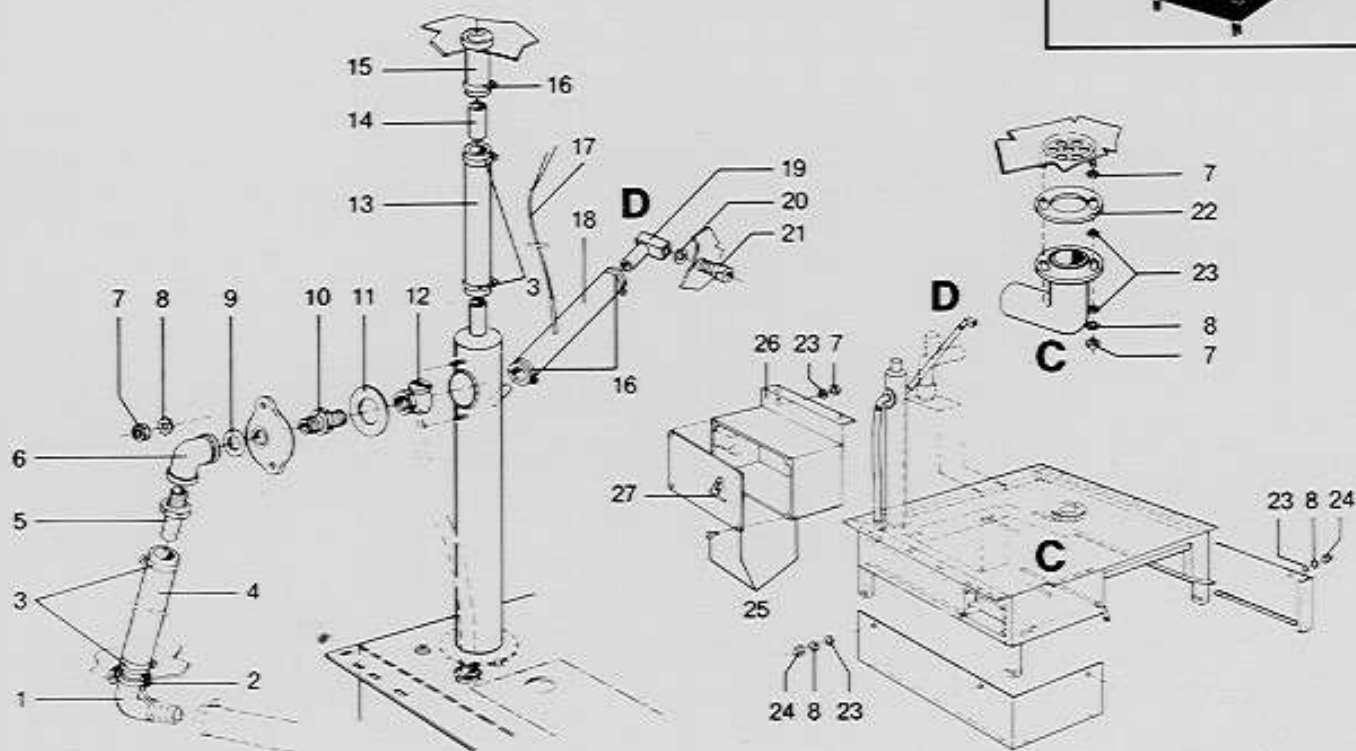


Pos.	Pcs.	Sp. Part No.	Description	Sign	Pos.	Pcs.	Sp. Part No.	Description	Sign
-	2	8612.0102	quench nozzle complete (pos. 16,17,27,18,19,20)		25	1	2070.0007	elbow pipe	
1	1	3014.0303	stuffing box packing		26	4	2039.0111	foot adjustable	
2	2	3014.0304	washer		27	2	2070.0021	cover for quench nozzle	
3	1	3014.0305	stuffing box nipple						
4	1	3014.0312	thermostat	P4					
			quenching system						
5	4	1106.0160	hex nut M6						
6	4	1206.0120	toothed lock washer A6,4						
7	2	1306.0221	washer A6,4						
8	15	2066.0202	hose clamp 12 - 22 mm						
9	1	2062.0301	plastic elbow fitting						
10	1	2022.0101	grommet						
11	1	2067.0129	pressure hose 470 mm long						
12	1	2067.0117	pressure hose 710 mm long						
13	1	2067.0114	pressure hose 150 mm long						
14	2	2062.0302	T-fitting						
15	2	2067.0126	pressure hose 100 mm long						
16	2	2062.0102	hose fitting G 3/8"						
17	2	5012.0532	O-ring gasket						
18	2	2580.600594	washer						
19	3	2070.0020	gasket						
20	2	2016.0900	quench nozzle						
21	1	2067.0124	pressure hose 1300 mm long						
22	1	2067.0111	pressure hose 1030 mm long						
23	1	2070.0027	drain pipe complete						
24	2	2070.0013	sealing element						

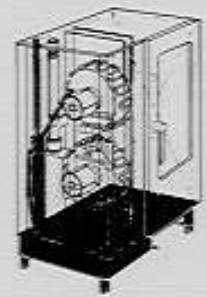


**Bottom (Top elevation)**

Component Group	Page	Edition	applicable from Serial No.
<b>9</b>	<b>9.1</b>	<b>9.1.1</b>	<b>20186 011001</b>

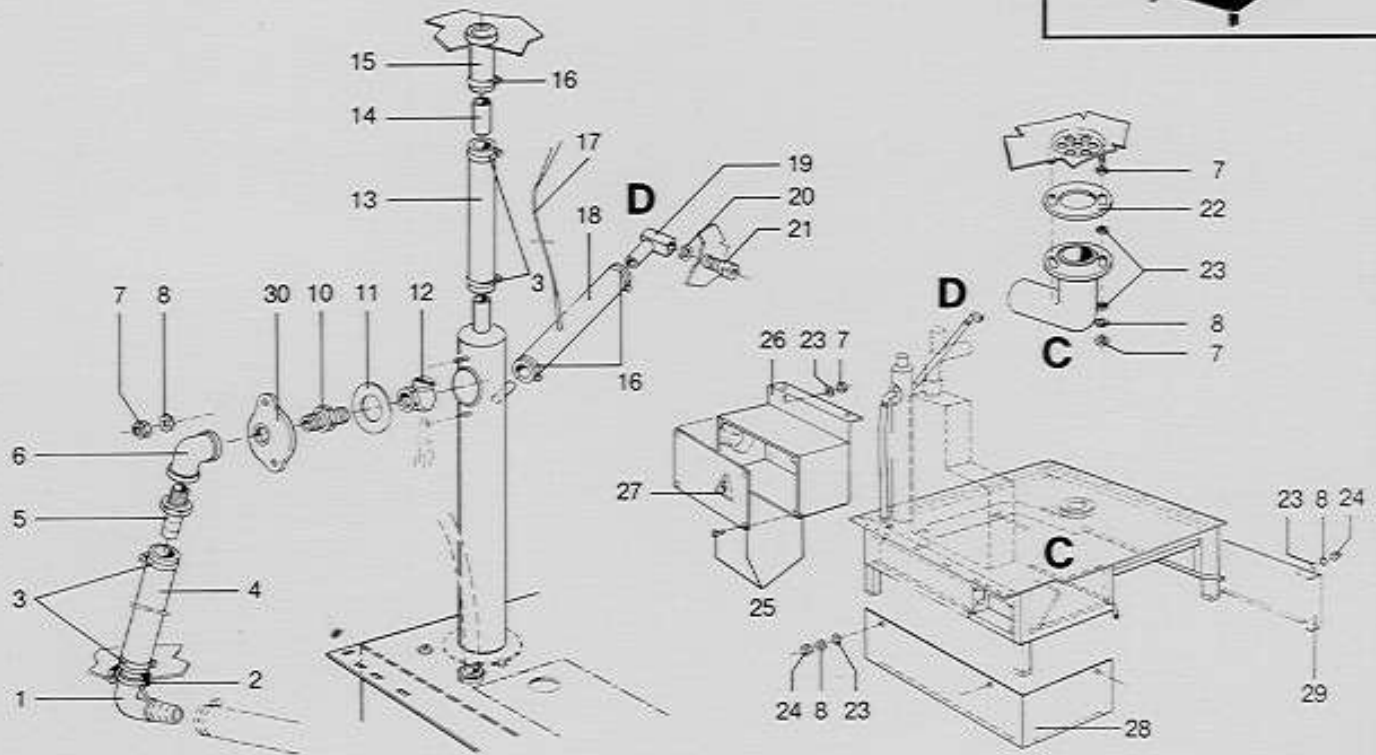


Pos.	Pcs.	Sp.	Part No.	Description	Sign
1	1		2062.0301	plastic elbow fitting	
2	2		2022.0101	grommet	
3	4		2066.0202	hose clamp 12 – 22 mm	
4	1		2067.0103	pressure hose 650mm long	
5	1		2062.0102	hose fitting G 3/8"	
6	1		2064.0300	elbow fitting G 3/8", 90°	
7	8		1106.0160	hex nut M6	
8	10		1206.0120	toothed lock washer A 6,4	
9	1		5012.0532	gasket	
10	1		2064.0200	double nipple G 3/8"	
11	1		2070.0020	gasket	
12	1		2016.0910	quench nozzle	
13	1		2067.1607	pressure hose 720 mm long	
14	1		2610.330080	pipe	
15	1		4016.0601	air inlet grommet	
16	5		2066.0506	hose clamp 20 – 32 mm	
17	1		3014.0120	sensor for steam controller P2	
18	1		2067.1611	silicone hose 330 mm long	
19	1		8450.0100	elbow fitting G 1/2", 90° complete	
20	1		1315.0100	copper washer	
21	1		2016.0850	bushing G 1/2"	
22	1		5012.0525	gasket	
23	11		1306.0221	washer A 6,4	
24	5		1106.0360	hex cap nut M6	
25	1		3038.0300	terminal box	
26	1		2510.140089	holder for terminal box	
27	1		4019.0008	warning label	



**Bottom (Top elevation)**

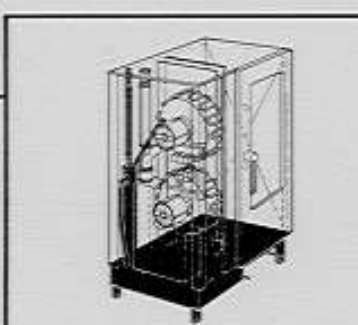
Component Group	Page	Edition	applicable from Serial No.
<b>9</b>	<b>9.1</b>	<b>9.1.2</b>	<b>201 88 03 1033</b>



Pos.	Pcs.	Sp.	Part No.	Description	Sign	Pos.	Pcs.	Sp.	Part No.	Description	Sign
-	1		8612.0104	quench nozzle complete (pos. 12,11,10,30,9,6,5)		29	1		2510.090087	bottom flank cover	
1	1		2062.0301	plastic elbow fitting		30	1		2070.0021	cover for quench nozzle	
2	2		2022.0101	grommet							
3	4		2066.0202	hose clamp 12-22 mm							
4	1		2067.0103	pressure hose 650 mm long							
5	1		2062.0102	hose fitting G 3/8"							
6	1		2064.0300	elbow fitting G 3/8", 90 degrees							
7	8		1106.0160	hex nut M6							
8	9		1206.0120	toothed lock washer A6,4							
10	1		2064.0200	double nipple G 3/8"							
11	1		2070.0020	gasket							
12	1		2016.0910	quench nozzle							
13	1		2067.1607	pressure hose 720 mm long							
14	1		2610.330080	pipe							
15	1		4016.0601	air inlet grommet							
16	5		2066.0506	hose clamp 20-32 mm							
17	1		3014.0152	sensor for bypass							
18	1		2067.1611	silicone hose 330 mm long							
19	1		8450.0100	elbow fitting G 1/2", 90 degrees							
20	1		1315.0100	copper washer							
21	1		2016.0850	bushing G 1/2"							
22	1		5012.0525	gasket							
23	11		1306.0221	washer A6,4							
24	5		1106.0360	hex cap nut M6							
25	1		3038.0300	terminal box							
26	1		2510.140089	holder for terminal box							
27	2		4019.0008	warning label							
28	1		2510.080086	bottom flank cover							

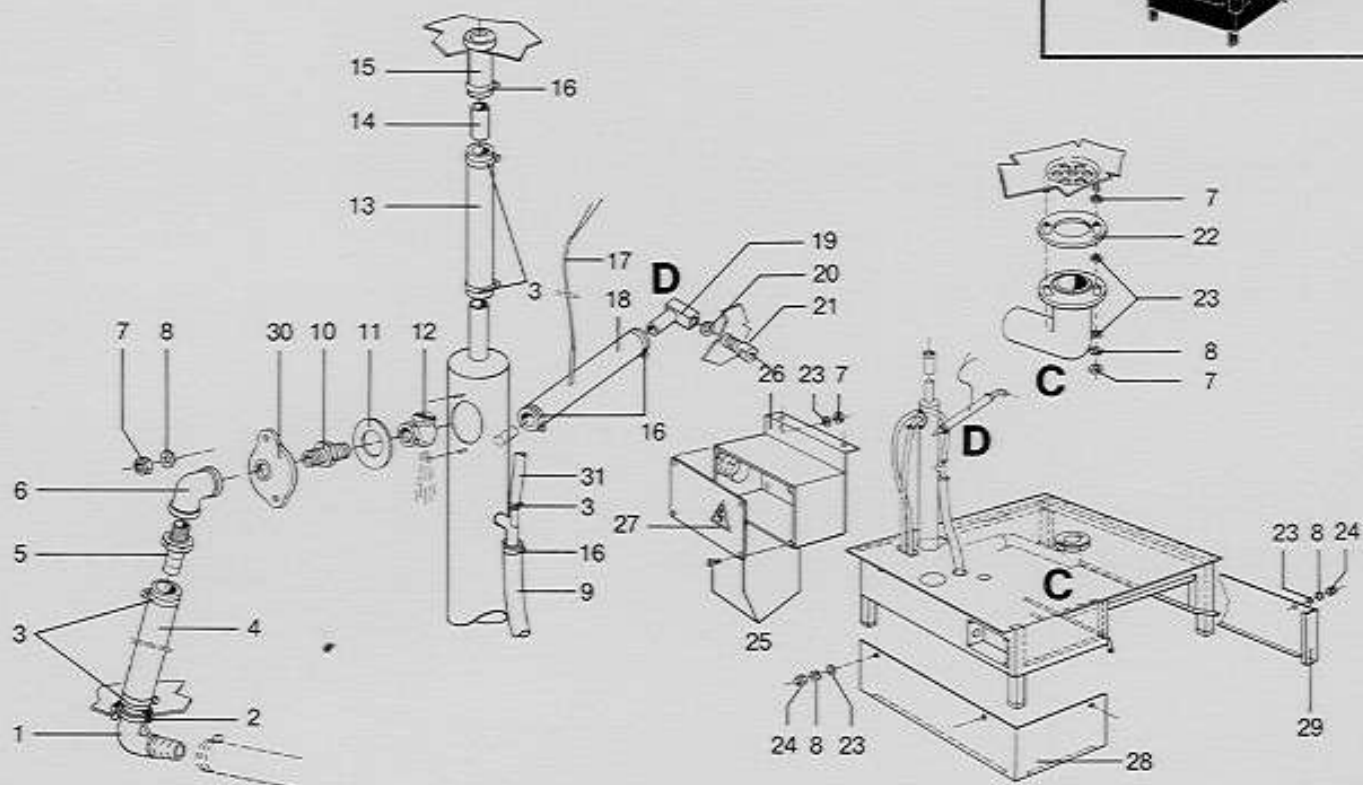
from 20189041225 : 2016.0863





**Bottom (Top elevation)**

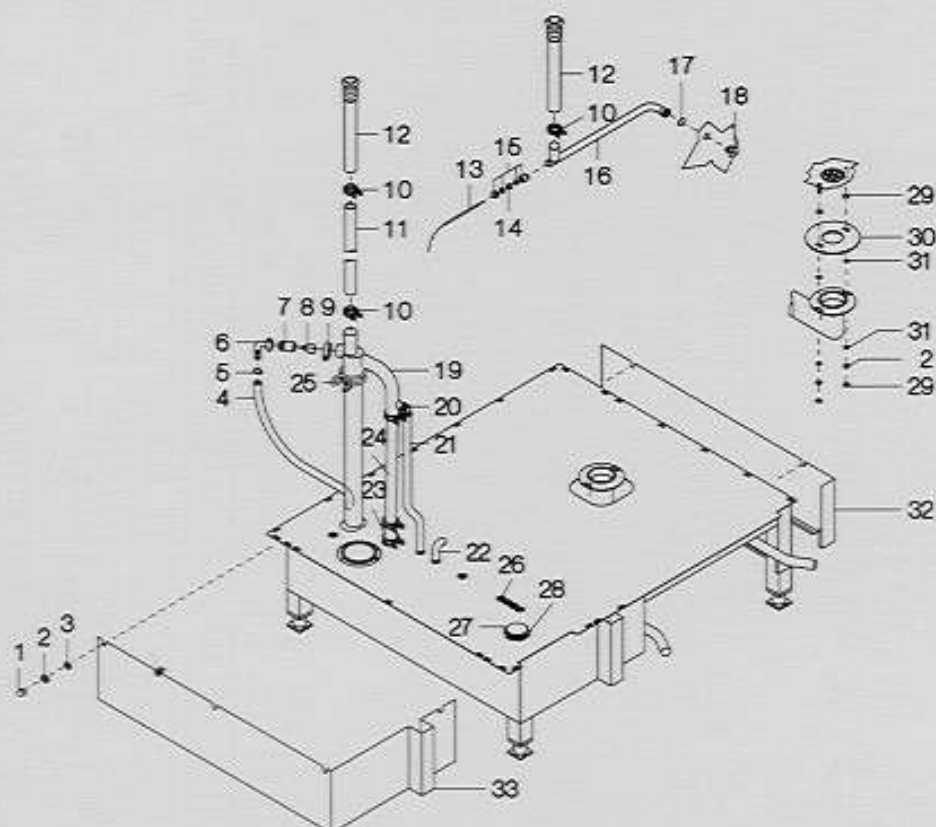
Component Group	Page	Edition	applicable from Serial No.
<b>9</b>	<b>9.1</b>	<b>9.1.3</b>	<b>20189104001</b>



Pos.	Pcs.	Sp.	Part No.	Description	Sign	Pos.	Pcs.	Sp.	Part No.	Description	Sign
-	1		8612.0104	quench nozzle complete (pos. 12,11,10,30,9,6,5)		28	1		2510.080086	bottom flank cover	
1	3		2062.0301	plastic elbow fitting		29	1		2510.090087	bottom flank cover	
2	5		2022.0101	grommet		30	1		2070.0021	cover for quench nozzle	
3	5		2066.0202	hose clamp 12-22 mm		31	1		2067.0105	pressure hose 1015 mm long	
4	1		2067.0103	pressure hose 650 mm long							
5	1		2062.0102	hose fitting G 3/8"							
6	1		2064.0300	elbow fitting G 3/8", 90 degrees							
7	8		1106.0160	hex nut M6							
8	9		1206.0120	toothed lock washer A6,4							
9	1		2067.1615	silicone hose 400 mm long							
10	1		2064.0200	double nipple G 3/8"							
11	1		2070.0020	gasket							
12	1		2016.0910	quench nozzle							
13	1		2067.1607	pressure hose 720 mm long							
14	1		2610.330080	pipe							
15	1		4016.0601	air inlet grommet							
16	7		2066.0506	hose clamp 20-32 mm							
17	1		3014.0152	sensor for bypass							
18	1		2067.1611	silicone hose 330 mm long							
19	1		8450.0100	elbow fitting G 1/2", 90 degrees							
20	1		1315.0100	copper washer							
21	1		2016.0863	bushing G 1/2"							
22	1		5012.0525	gasket							
23	11		1306.0221	washer A6,4							
24	5		1106.0360	hex cap nut M6							
25	1		3038.0300	terminal box							
26	1		2510.140089	holder for terminal box							
27	2		4019.0008	warning label							

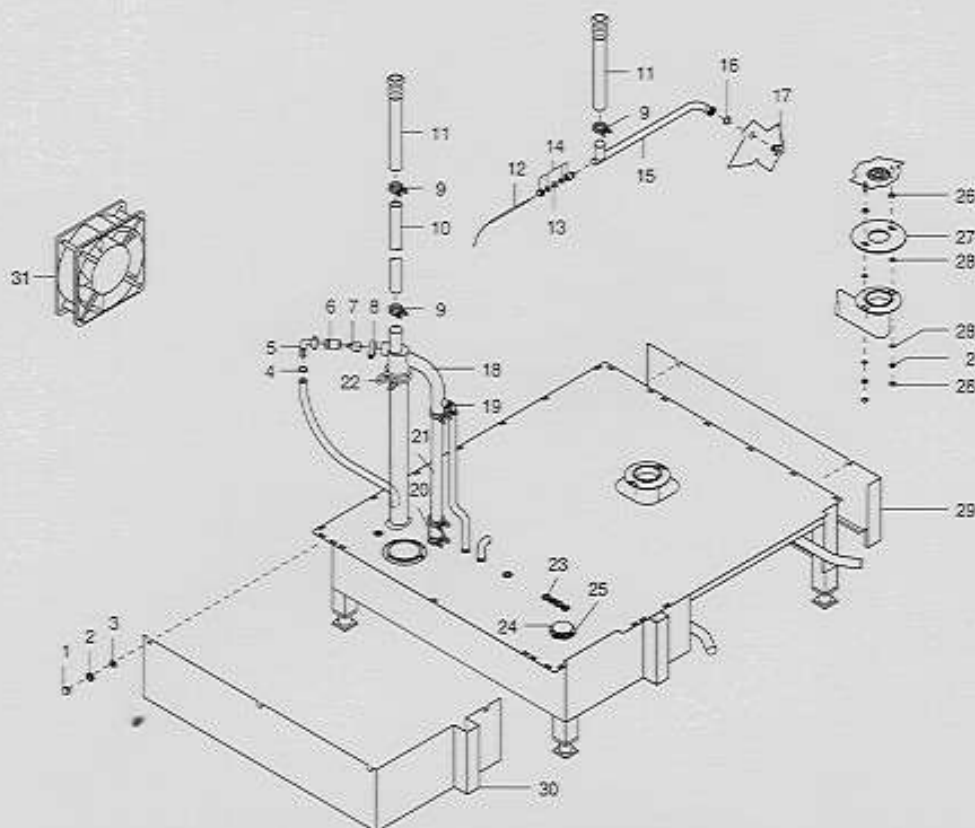
**Bottom (Top elevation)**

Voltage	Group	Page	Edition	Application from Serial. No.
3 N AC 380V 50Hz	9	9.1	9.1.4	20191042001

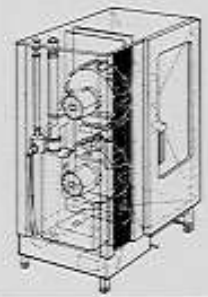


Pos.	Pcs.	Sp. Part No.	Description	Sign.	Pos.	Pcs.	Sp. Part No.	Description	Sign.
-	1	8612.0110	quenching nozzle cpl.		29	4	1106.0160	hex nut M6	
1	5	1106.0360	hex cap nut M6		30	1	5012.0555	gasket	
2	5	1306.0550	washer A6,4		31	5	1306.0221	washer A6,4	
3	7	1206.0120	toothed lock washer A6,4		32	1	2510.080086	bottom plate cover	
4	1	2067.0156	pressure hose 440mm long		33	1	2510.090992	bottom plate cover with hand shower	
5	7	2066.0205	hose clamp 12-18mm						
6	1	2062.0208	threaded pipe angle G1/2"		33	1	2510.090087	bottom plate cover without hand shower	
7	1	2016.0883	threaded connection for quenching nozzle						
8	1	2016.0916	quenching nozzle						
9	1	2066.0506	hose clamp 20-32mm						
10	5	2066.0518	hose clamp 30mm						
11	1	2610.420321	PP-pipe 820mm long						
12	2	4016.0101	vent connection						
13	1	3014.0155	thermostat bypass	P2					
14	1	2022.0100	gasket						
15	1	4007.0600	cabl connection PG9						
16	1	2071.0101	bypass pipe						
17	1	1315.0104	copper washer						
18	1	2016.0920	bypass nozzle						
19	1	2022.0201	drain elbow						
20	1	2062.0301	plastic elbow fitting						
21	1	2067.0157	pressure hose 340mm long for steam generator filling						
22	1	2067.0110	pressure hose 360mm long for steam generator rinsing						
23	1	2022.0202	hose connection piece 40mm long						
24	1	2644.250288	PP-pipe 300mm long						
25	1	2066.0520	hose clamp 46mm						
26	10	2022.0101	grommet						
27	1	4007.0606	cabl connection PG36						
28	1	4007.0607	lock nut for PG36						

<b>Bodengruppe</b> (Oberseite)	Spannung	Baugruppe	Ausgabe	gültig ab Seriennummer
<b>Bottom</b> (Top elevation)	Voltage	Group	Edition	Applicable from Serial.No.
	3 N AC 400V 50Hz	9	9.1.5	20196011001

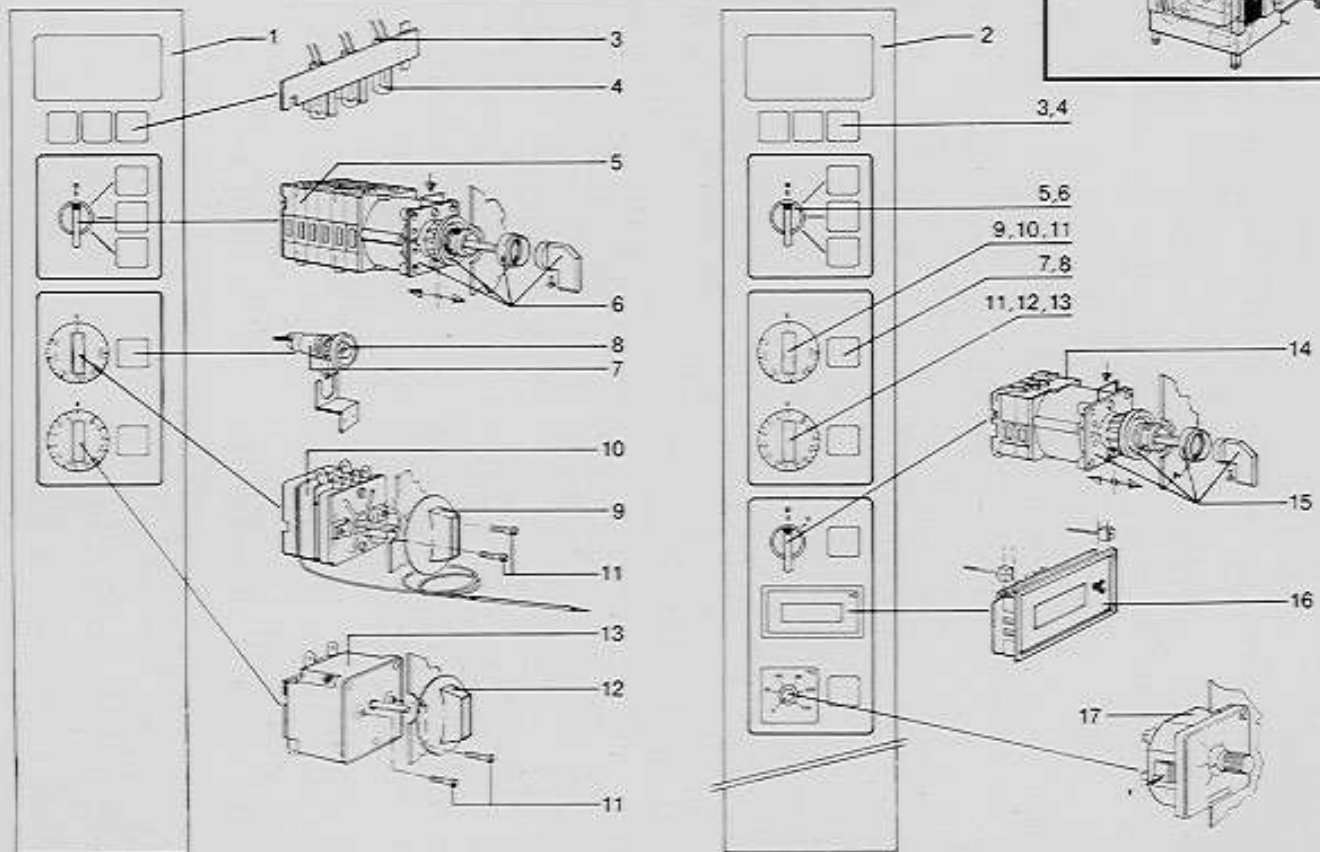


Pos.	St.	Ersatz.Nr.	Bezeichnung	Description
Pos.	Pcs.	Sp. Part No.		
-	-	2067.0050	Druckschlauch NW10 1 lfm.	Pressure hose NW10 per meter
-	1	8612.0110	Ablöschdüse oben komplett	Quench nozzle top
1	5	1106.0360	Hutmutter M6, hohe Form	Cap nut M6, high shape
2	5	1306.0550	Unterlegscheibe A6,6	Washer A6,6
3	7	1206.0120	Zahnscheibe A6,4	Toothed lock washer A6,4
4	7	2066.0205	Schlauchschelle 12-18 mm	Hose clamp 12-18 mm
5	1	2062.0208	Winkelverschraubung G1/2"x10	Elbow Nipple 1/2"x10mm
6	1	2016.0883	Verschraubung Ablöschdüse ab 04/91	Threaded connection for quenching nozzle
7	1	2016.0916	Ablöschdüse oben ab 04/91	Quenching nozzle top
8	1	2066.0506	Schlauchschelle 20-32mm	Hose clamp 20-32mm
9	6	2066.0518	Schlauchklemme 30mm	Hose clamp 30mm
10	1	2610.420321	PP-Rohr 820mm lang Ablaufbelüftung	PP-pipe 820 mm type 201/20 drain vent
11	2	4016.0101	Entlüftungstülle 250mm ab 04/91	Vent grommet 250mm
12	1	3014.0155	Thermostat Bypass CD ab 04/91	Thermostat bypass CD
13	1	2022.0100	Silikondurchführung rot 15x4mm	Silicone gasket red
14	1	4007.0600	Kabelverschraubung PG 9 Metall	Cable connection PG9
15	1	2071.0101	Bypassrohr Typ 201 ab 04/91	Bypass pipe type 201
16	1	1315.0104	Kupferdichtung 16x20x1,5	Copper washer 16x20x1,5
17	1	2016.0920	Bypassdüse ab 04/91	Bypass nozzle
18	1	2022.0201	Abflußkrümmer ab 04/91	Drain elbow
19	1	2062.0301	Winkelschlauchfitting WS 10	Angle fitting plastic WS 10
20	1	2022.0202	Schlauchstutzen 40mm SC-Pumpe	Hose connection piece 40 mm SC-pump
21	1	2644.250288	PP-Rohr 300mm Pumpenanschluß	PP-pipe 300 mm pump connection
22	1	2066.0520	Schlauchklemme d 47 mm	Hose clamp 47 mm
23	10	2022.0101	Durchführungstülle 18 mm	Grommet 18 mm
24	1	4007.0606	Kabelverschraubung PG36 mit Zugentlastung	Cable connection PG36 strain relief
25	1	4007.0607	Polyamid Sechskantmutter für PG36	Lock nut for PG36 polyamid
26	4	1106.0160	Sechskantmutter M6	Hex nut M6
27	1	5012.0555	Dichtung Bodenablauf ab 04/91	gasket for drain from 04/91
28	4	1306.0221	Unterlegscheibe A6,4 DIN9021	Washer A6,4 DIN125
29	1	2510.080086	Verkleidungsblech rechts Typ CD/CM 201	Side panel right type 201
30	1	2510.090087	Verkleidungsblech links ohne Handbrause	Side panel left without hand shower
30	-	2510.090992	Verkleidungsblech links mit Handbrause	Side panel left with hand shower
31	1	3101.1008	Kühllüfter	Cooling motor



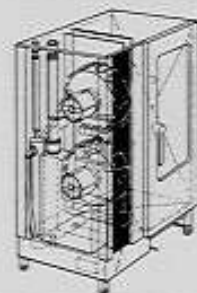
**Control Panel**

Component Group	Page	Edition	applicable from Serial No.
<b>1</b>	<b>1.1</b>	<b>1.1.1</b>	<b>20186 011001</b>



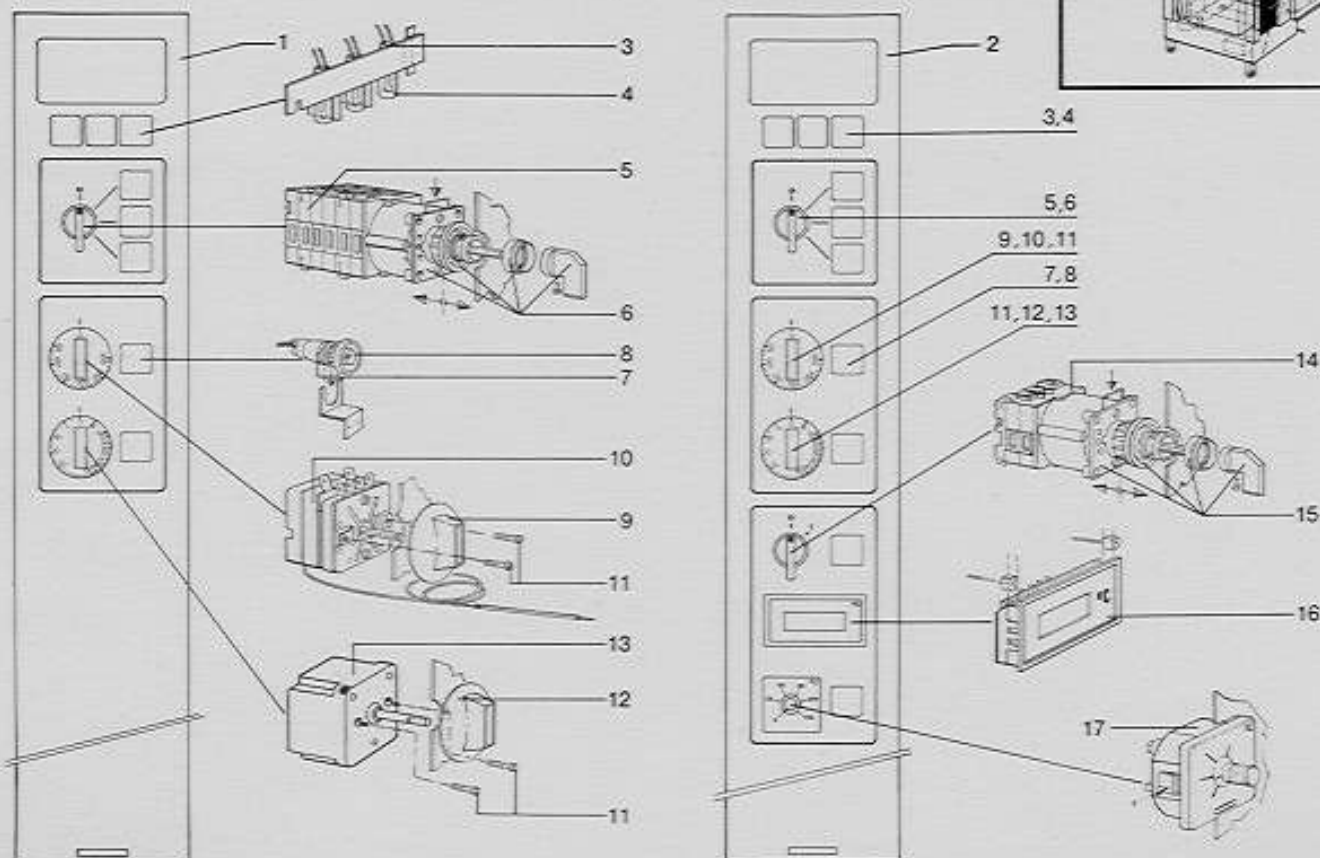
Pos.	Pcs.	Sp.	Part No.	Description	Sign
1	1		2049.0524	control panel	
2	1		2049.0525	control panel with core temperature / meat probe	
3	3		3024.0303	socket for control lamp	
4	3		3025.0304	bulb for control lamp	
5	1		3016.1300	mode switch block	S2
6	1		3016.1310	mode switch knob assy	
7	1		3023.0300	socket for heating controller	
8	1		3024.0300	glow lamp for heating controller	
9	1		3013.0201	dial 60° – 300°C	
10	1		3014.0318	thermostat hot air heating	P5
11	4		1004.0060	slotted pan head screw M 4x4	
12	1		3013.0108	dial 120 min	
13	1		3013.0109	timer 120 min	S3
14	1		3016.1500	core temperature switch block	S5
15	1		3016.1310	mode switch knob assy	
16	1		3035.0602	liquid crystal display	E2
17	1		3035.0600	potentiometer	E3



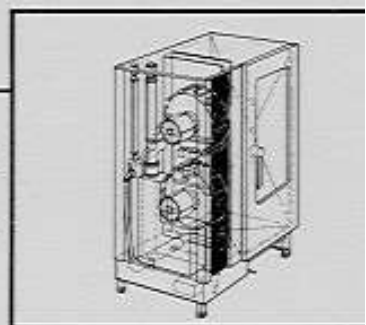


**Control Panel**

Component Group	Page	Edition	applicable from Serial No.
<b>1</b>	<b>1.1</b>	<b>1.1.2</b>	<b>20188 091559</b>

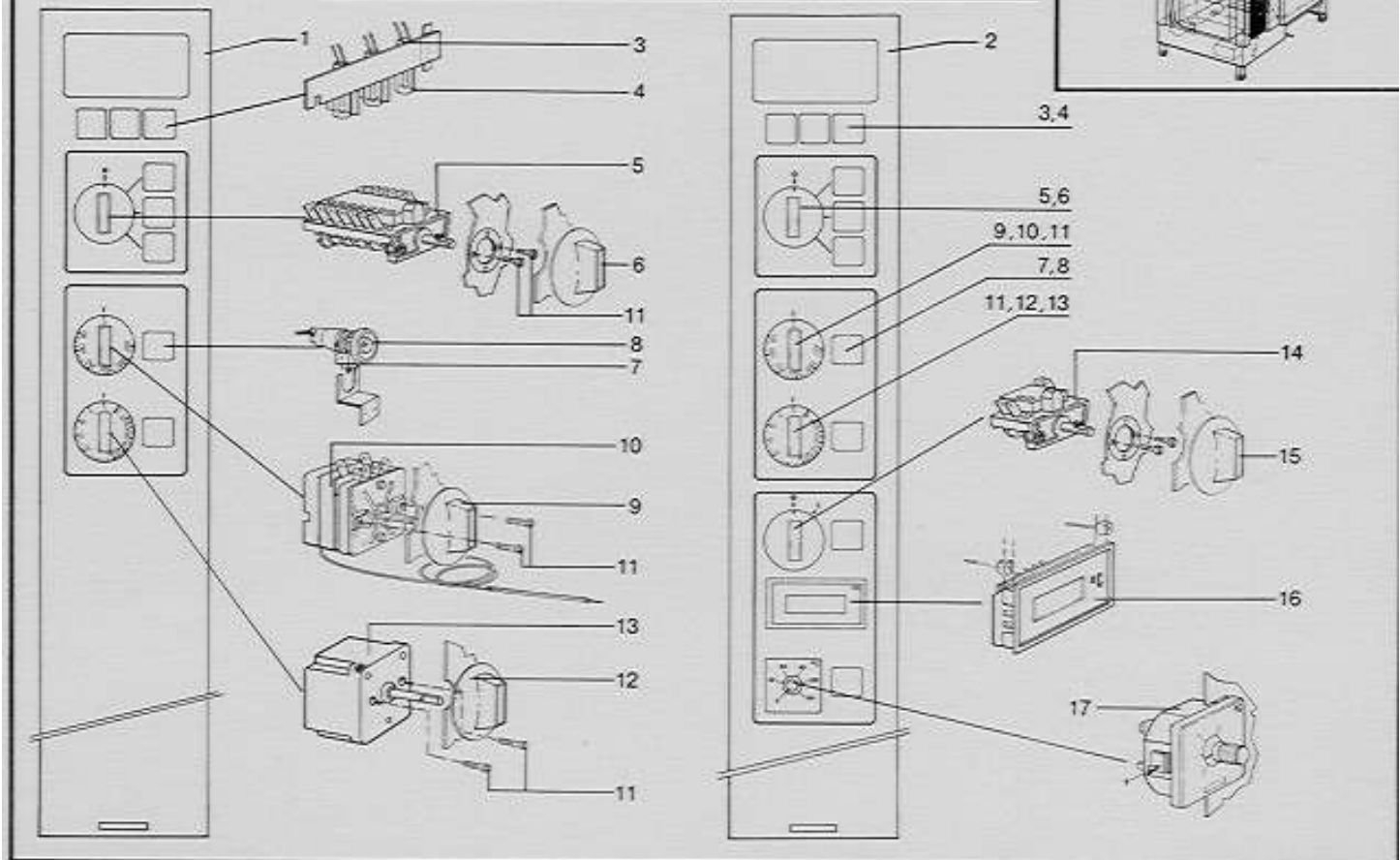


Pos.	Pcs.	Sp. Part No.	Description	Sign
1	1	2049.0524	control panel	
2	1	2049.0525	control panel with core temperature/meat probe socket	
3	3	3024.0303	socket for control lamp	
4	3	3025.0304	bulb for control lamp	
5	1	3016.1300	mode switch block	S2
6	1	3016.1310	mode switch knob assy	
7	1	3023.0300	socket for heating controller	
8	1	3024.0300	glow lamp for heating controller	
9	1	3013.0201	dial 60 - 300 degrees C	
10	1	3014.0318	thermostat hot air heating	P5
11	4	1004.0060	slotted pan head screw M 4x4	
12	1	3013.0105	dial 30 min spreading	
13	1	3013.0104	timer 30 min spreading	S3
14	1	3016.1500	core temperature switch block	S5
15	1	3016.1310	mode switch knob assy	
16	1	3035.0602	liquid crystal display	E2
17	1	3035.0600	potentiometer	E3

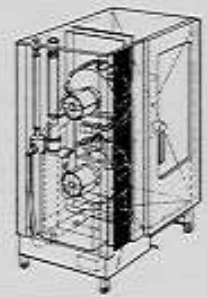


**Control Panel**

Component Group	Page	Edition	applicable from Serial No.
<b>1</b>	<b>1.1</b>	<b>1.1.3</b>	<b>20189 041125</b>

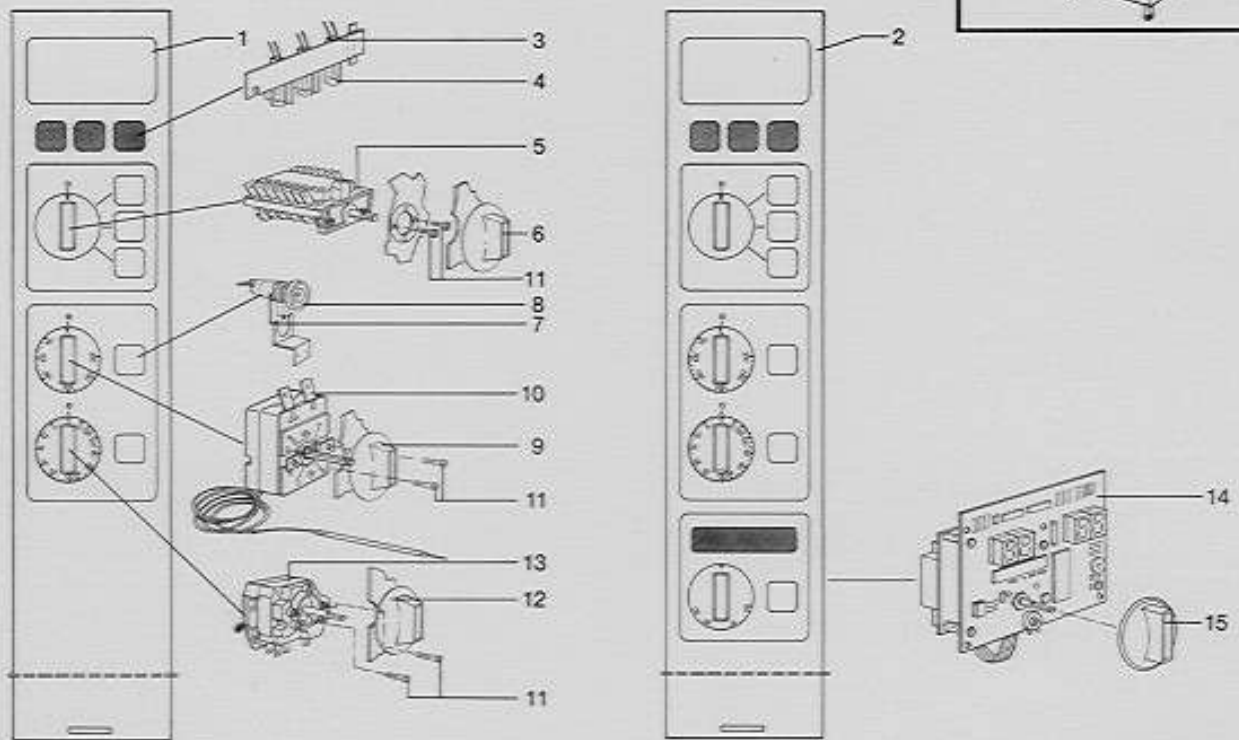


Pos.	Pcs.	Sp. Part No.	Description	Sign
1	1	2049.0673	control panel	
2	1	2049.0674	control panel with core temperature/meat probe	
3	3	3024.0303	socket for control lamp	from 20189081440: 1 8430.7110 lamp block complete
4	3	3025.0304	bulb for control lamp	from 20189081440: 3 3025.0306 bulb for control lamp
5	1	3016.1610	mode switch	S2
6	1	3013.0113	dial for mode switch	
7	1	3023.0300	socket for heating controller	
8	1	3024.0300	glow lamp for heating controller	
9	1	3013.0201	dial 60 - 300 degrees C	
10	1	3014.0318	thermostat hot air heating	P5
11	8	1004.0060	slotted pan head screw M 4x4	
12	1	3013.0105	dial 30 min spreading	
13	1	3013.0104	timer 30 min spreading	S3
14	1	3016.1620	core temperature switch	S5
15	1	3013.0113	dial for mode switch	
16	1	3035.0602	liquid crystal display	E2
17	1	3035.0600	potentiometer	E3



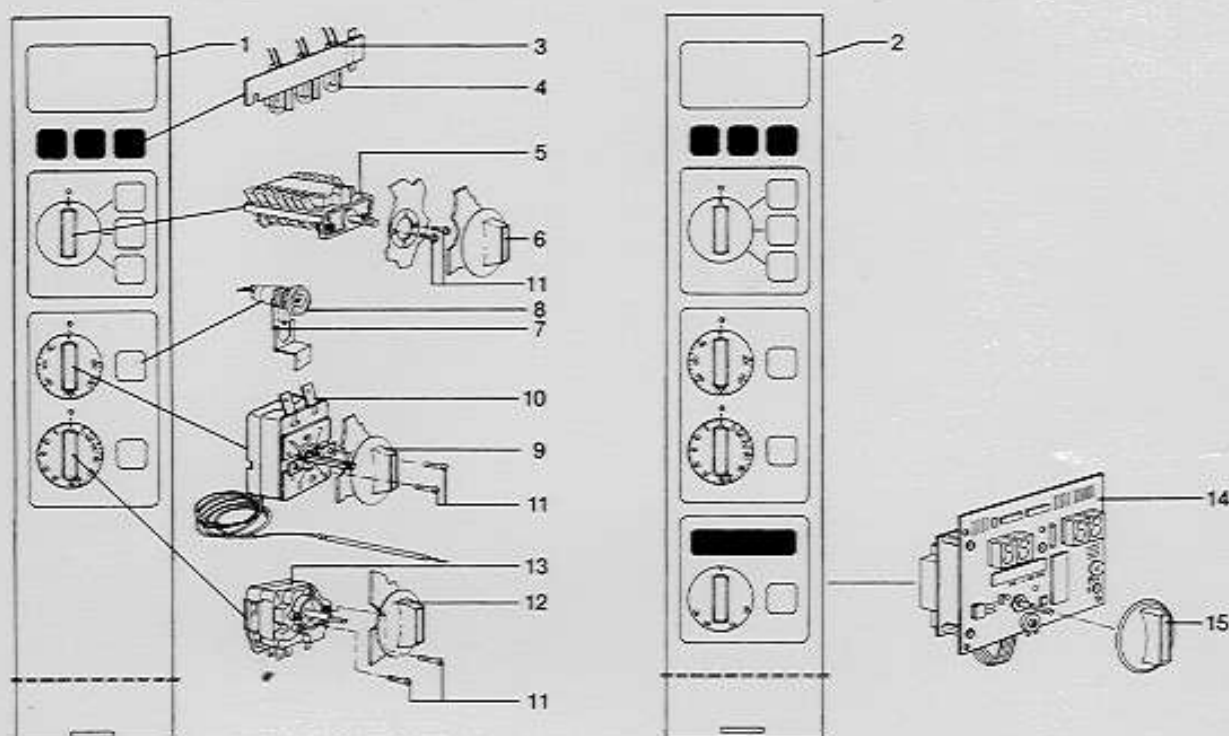
**Control Panel**

Component Group	Page	Edition	applicable from Serial No.
<b>1</b>	<b>1.1</b>	<b>1.1.4</b>	<b>201 89 10 4001</b>



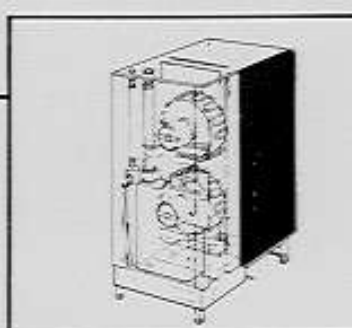
Pos.	Pcs.	Sp.	Part No.	Description	Sign
1	1		2049.0673	control panel	
2	1		2049.0752	control panel with core temperature/meat probe	
3	1		8430.7110	lamp block complete	
4	3		3025.0306	bulb for control lamp	
5	1		3016.1640	mode switch	S2
6	1		3013.0113	dial for mode switch	
7	1		3023.0300	socket for heating controller	
8	1		3024.0300	glow lamp for heating controller	
9	1		3013.0201	dial 60 - 300 degrees C	
10	1		3014.0318	thermostat hot air heating	P5
11	8		1004.0060	slotted pan head screw M 4x4	
12	1		3013.0105	dial 30 min spreading	
13	1		3013.0104	timer 30 min spreading	S3
14	1		3035.0630	meat probe controller	A2
15	1		3013.0114	dial for meat probe controller	

<b>Bedienblende</b> <b>Control Panel</b>	Spannung Voltage	Baugruppe Group	Ausgabe Edition	gültig ab Seriennummer Applicable from Serial.No.
	3 N AC 400V 50Hz	1	1.1.5	20196011001



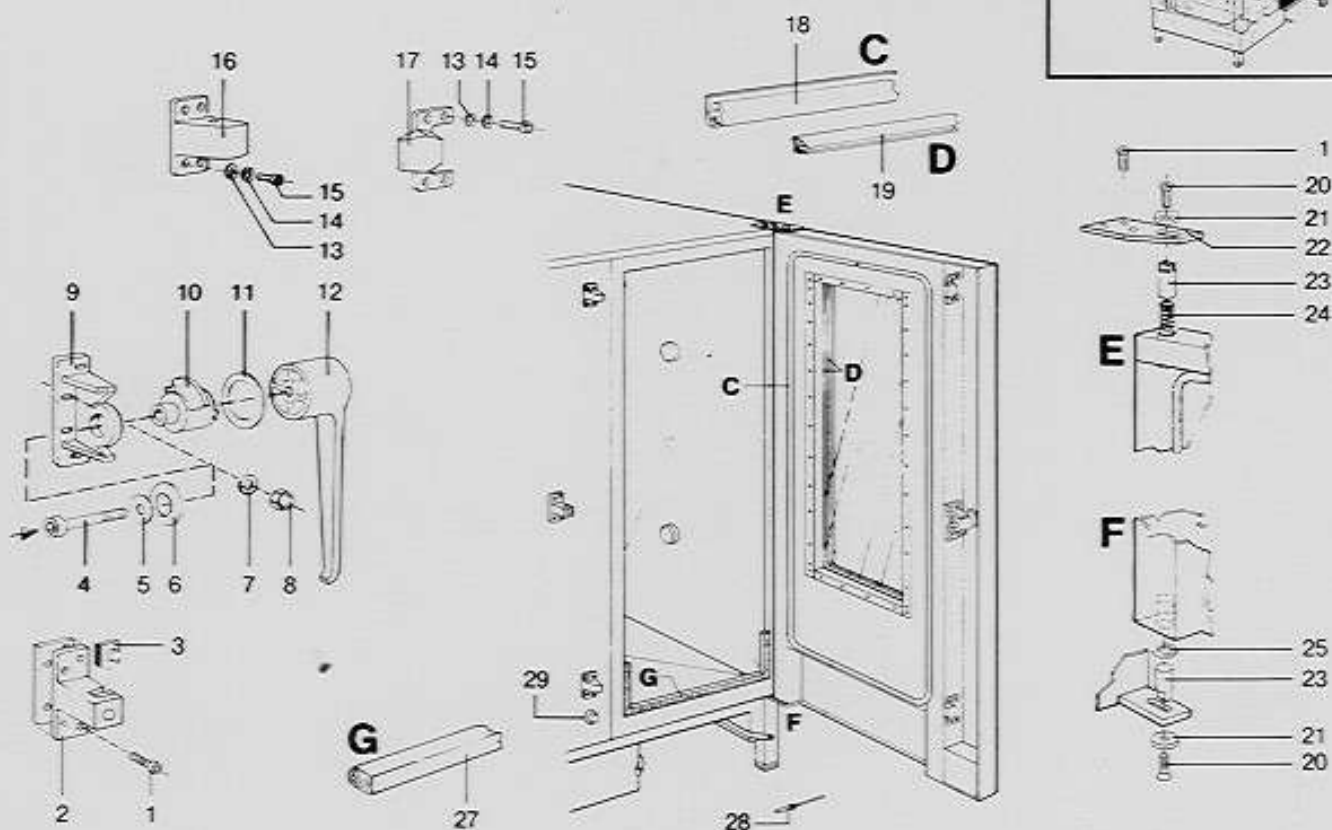
Pos.	St.	Ersatz.Nr.	Bezeichnung	Description
Pos.	Pcs.	Sp. Part No.		
1	1	2049.0673	Blende	Control panel
2	1	2049.0752	Blende mit Kerntemperatur	Control panel with core temperature
3	3	8430.7110	Lampenblock kpl. CD	Lamp-block complete CD
4	3	3025.0306	Glühlampe für Kontrolleuchte	Bulb for control lamp type CD
5	1	3016.1640	Betriebsartenschalter CD	Mode switch block type CD
6	1	3013.0113	Knebel Betriebsart/KT-Schalter	Dial for mode switch/ CT switch
7	1	3023.0300	Fassung für Heizungskontrolleuchte	Socket for heating control
8	1	3024.0300	Glimmlampe 230V. für Heizungskontrolleuchte	Glow lamp for heating control
9	1	3013.0201	Knebel für Heißluftthermostat Typ CD 60-300°C	Dial 60-300°C type CD
10	1	3014.0318	Thermostat Heißluftheizung 60-300°C	Thermostat hot air 60-300°C from 03/88
11	8	1004.0060	Zylinderschraube mit Schlitz M4x4	Slotted pan head screw M4x4
12	1	3013.0105	Knebel für Zeitschaltuhr mit 30min Spreizung	Dial for timer with 30min. spreading
13	1	3013.0104	Zeitschaltuhr 120min. mit 30Min.Spreizung	Timer white 120min. with 30min.
14	1	3035.0630	Regelplatine KT. Typ CD ab 10/89	CT PCB type CD from 10/89
15	1	3013.0114	Knebel f. KT-Schalter Typ CD ab 10/89	Dial for CT switch type CD from 10/89
-	1	3014.1615	Türkontaktschalter	Door contact switch



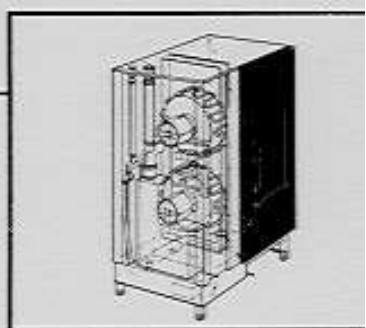


**Door**

Component Group	Page	Edition	applicable from Serial No.
<b>8</b>	<b>8.1</b>	<b>8.1.1</b>	<b>20186 011001</b>

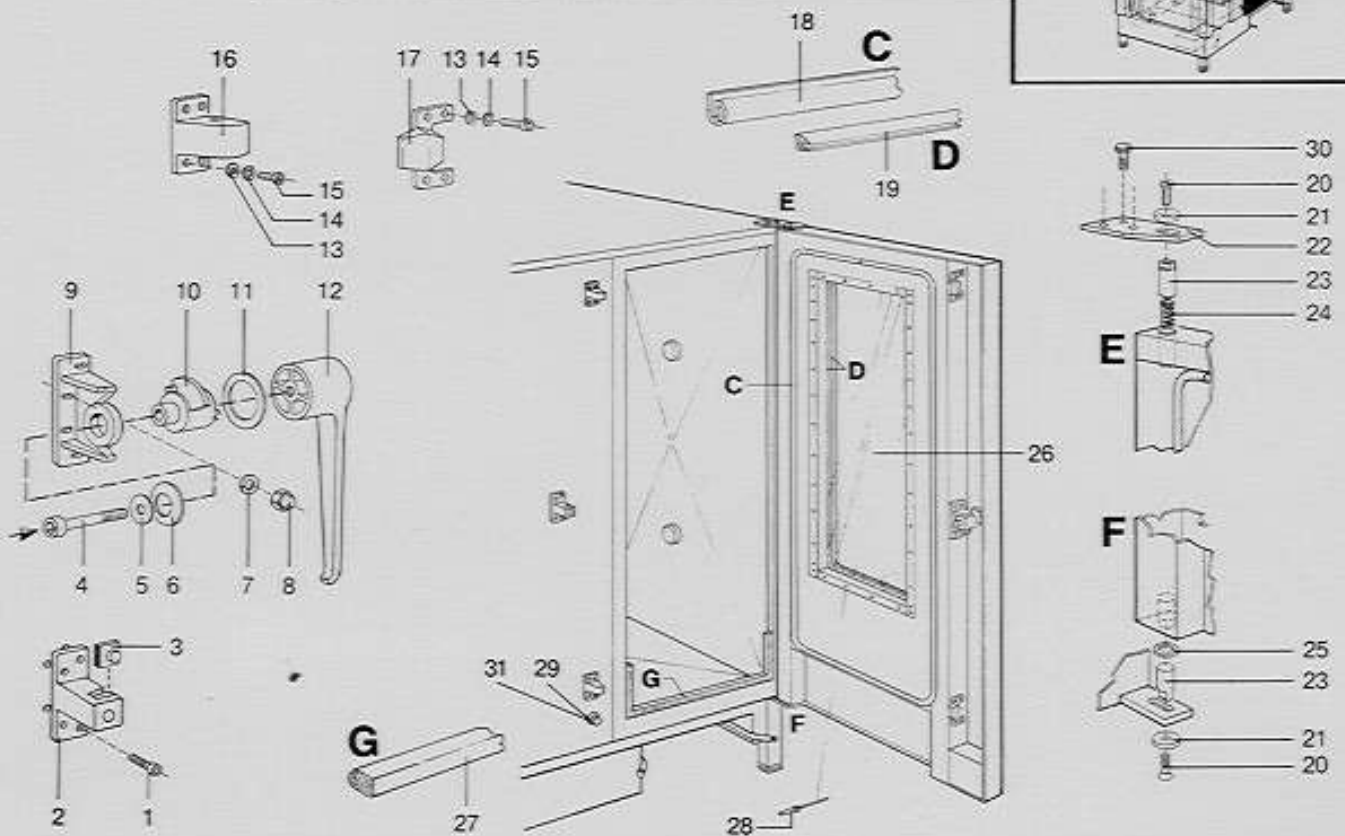


Pos.	Pcs.	Sp.	Part No.	Description	Sign	Pos.	Pcs.	Sp.	Part No.	Description	Sign
-	1		8202.1110	door complete		28	50		1603.0165	rivet	
1	7		1006.1960	socket countersunk head screw M6x16		29	1		3016.1400	door switch	S1
2	1		2016.0603	door catch							
3	1		2016.0605	plastic insert							
4	1		2016.1456	hex socket head cap screw M10x70							
5	1		2016.1454	washer A 10,5							
6	1		2016.1455	disc spring A 40x20							
7	4		1306.0120	washer A 6,4							
8	4		1106.0360	hex nut M6							
9	1		2016.1457	mounting base							
10	1		2016.1452	cam							
11	1		2016.1453	plastic washer							
12	1		2016.1450	door handle							
13	16		1305.0260	washer A 5,3							
14	16		1205.0360	spring washer							
15	16		1005.0661	hex socket head cap screw M 5x20							
16	2		2016.0604	ball catch female							
17	2		2016.1300	ball catch male							
18	1		5012.0700	door gasket							
19	1		5012.0200	window gasket							
20	2		1008.1960	socket countersunk head screw M 8x30							
21	2		2031.0800	rosette							
22	1		2580.650381	holder plate							
23	2		2016.0802	door bolt							
24	1		2001.0104	compression spring							
25	1		2031.0900	washer							
26	1		5015.0803	door window							
27	1		5012.050422	gasket							

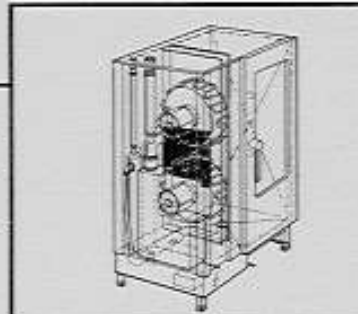


**Door**

Component Group	Page	Edition	applicable from Serial No.
<b>8</b>	<b>8.1</b>	<b>8.1.2</b>	<b>20187 081458</b>

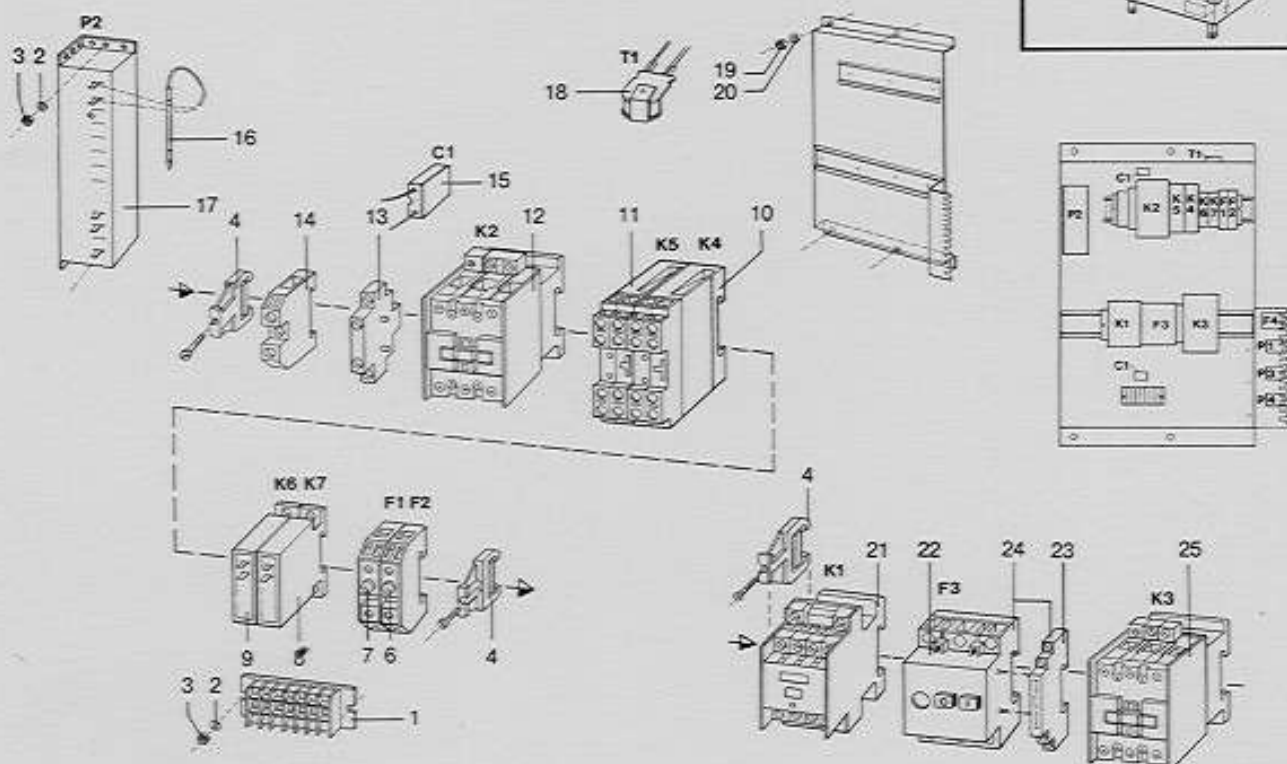


Pos.	Pcs.	Sp.	Part No.	Description	Sign	Pos.	Pcs.	Sp.	Part No.	Description	Sign
-	1		8202.1110	door complete		27	1		5012.0550	set gasket for HGW	
-	1		2016.1400	door lock complete (pos. 12,11,10,9,6,5,4)		28	50		1603.0165	rivet	
1	4		1006.1960	socket countersunk head screw M 6x16		29	1		3016.1400	door switch	S3
2	1		2016.0603	door catch		30	3		1008.0763	socket countersunk head screw M 8x20	
3	1		2016.0605	plastic insert		31	1		4016.0500	grommet	
4	1		2016.1456	hex socket head cap screw M 10x70							
5	1		2016.1454	washer A10,5							
6	1		2016.1455	disc spring A40x20							
7	4		1306.0120	washer A6,4							
8	4		1106.0360	hex nut M6							
9	1		2016.1457	mounting base							
10	1		2016.1452	cam							
11	1		2016.1453	plastic washer							
12	1		2016.1450	door handle							
13	16		1305.0260	washer A5,3							
14	16		1205.0360	spring washer							
15	16		1005.0661	hex socket head screw M 5x20							
16	2		2016.0604	ball catch female							
17	2		2016.1300	ball catch male							
18	1		5012.0701	set door gasket							
19	1		5012.0203	set window gasket							
20	2		1008.1960	socket countersunk head screw M 8x30							
21	2		2031.0800	rosette							
22	1		2580.960495	holder plate							
23	2		2016.0802	door bolt							
24	1		2001.0104	compression spring							
25	1		2031.0900	washer							
26	1		5015.0803	door window							

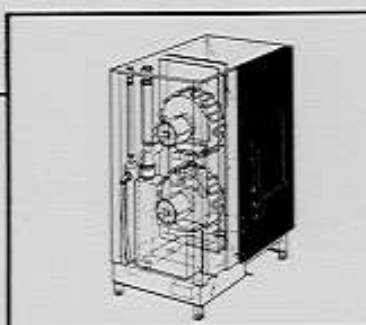


**Electrical Installation**

Component Group	Page	Edition	applicable from Serial No.
<b>2</b>	<b>2.1</b>	<b>2.1.2</b>	<b>201 88 03 1163</b>

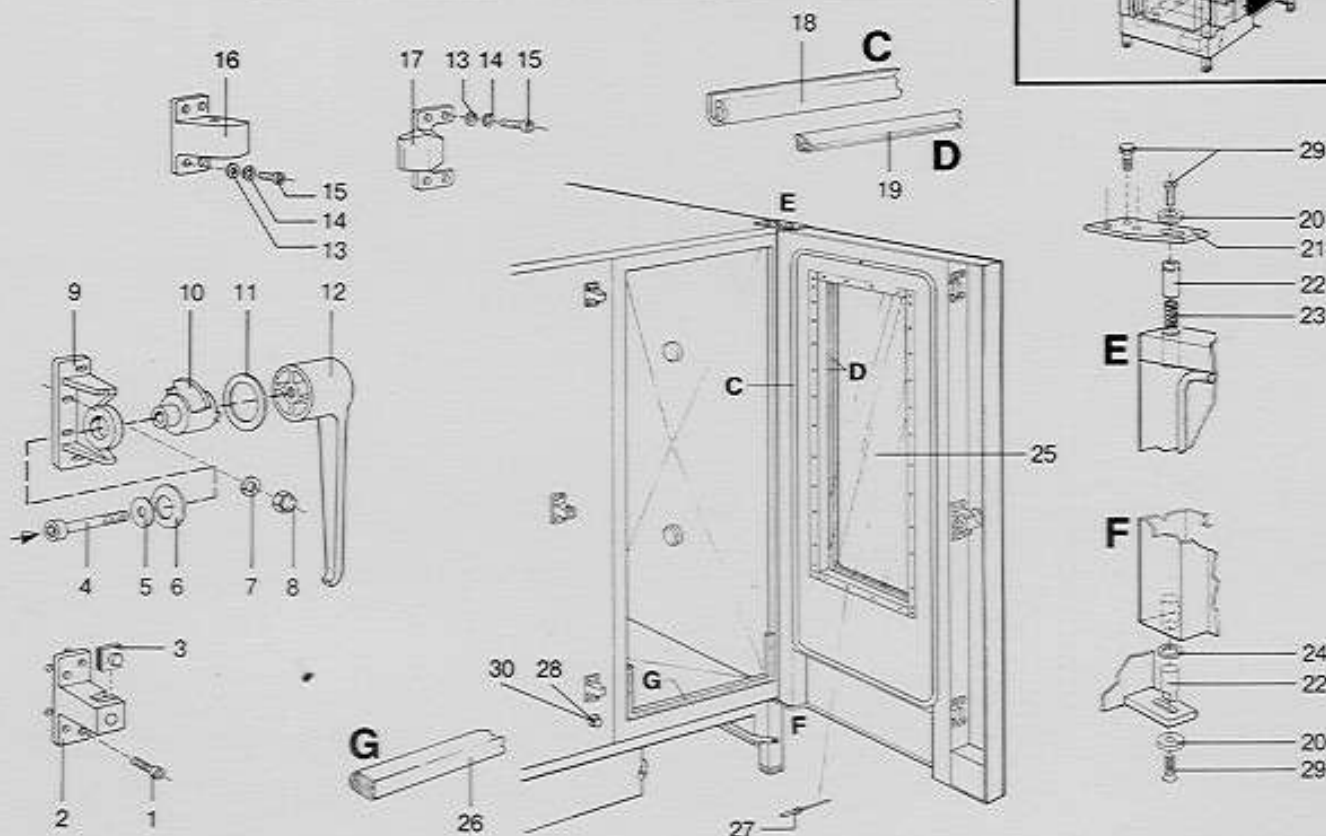


Pos.	Pcs.	Sp.	Part No.	Description	Sign
1	1		4001.1175	multi point connector	
2	4		1304.0150	washer A3,2	
3	4		1103.0120	hex nut M3	
4	3		4001.1201	endplate	
5	2		4001.1228	fuse holder	F1,F2
6	1		3019.0400	fuse 0,5 A	
7	1		3019.0200	fuse 6,3 A	
8	1		3035.0404	time relay 1 sec. start delay	K7
9	1		3035.0403	time relay - blinker	K6
10	1		3035.0402	time relay low water	K4
11	1		3035.0401	time relay generator filling	K5
12	1		3028.0102	contactor for hot air heating	K2
13	1		3028.0150	auxiliary contact for contactor K2	
14	1		4001.1206	terminal block blue 35 mm <sup>2</sup>	
15	2		3035.0508	RC-link	C1
16	1		3014.0152	sensor for bypass P2	
17	1		3014.0113	solid state steam controller	P2
18	1		3006.0101	buzzer	T1
19	4		1108.0260	hex nut M8	
20	4		1208.0160	toothed lock washer A8,4	
21	1		3028.0100	motor contactor	K1
22	-		3031.0107	motor protector	
23	-		3031.0102	auxiliary contact for motor protector F3	
24	1		3031.0103	motor protector with auxiliary contact	F3
25	1		3028.0102	contactor for steam generator heating	K3



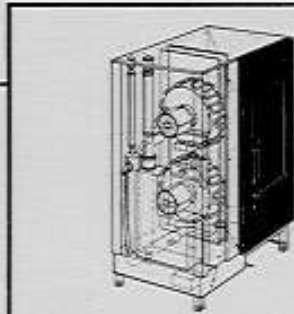
**Door**

Component Group	Page	Edition	applicable from Serial No.
<b>8</b>	<b>8.1</b>	<b>8.1.3</b>	<b>201 88 09 1579</b>



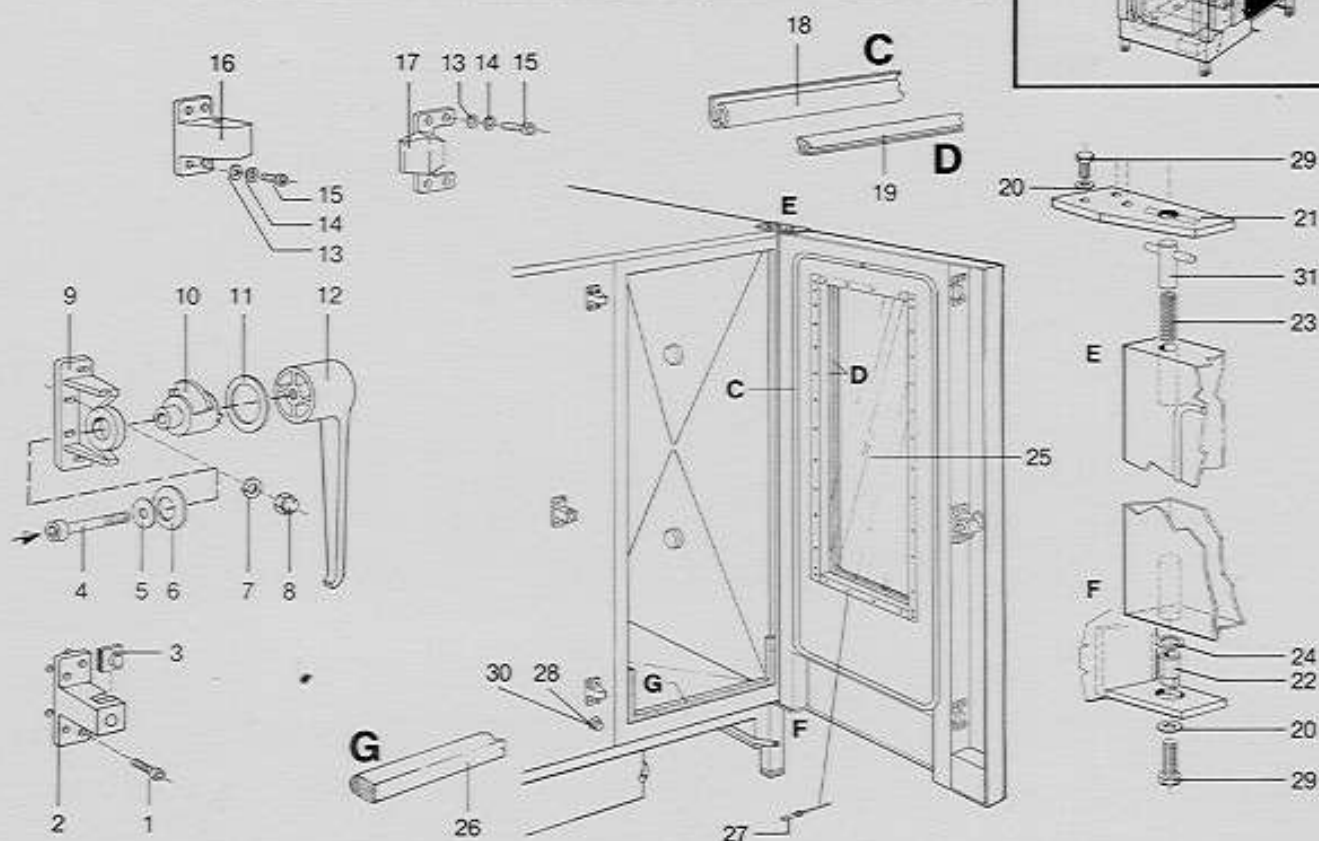
Pos.	Pcs.	Sp. Part No.	Description	Sign	Pos.	Pcs.	Sp. Part No.	Description	Sign
-	1	8202.1110	door complete		28	1	3016.1400	door switch	S3
-	1	2016.1400	door lock complete (pos. 12,11,10,9,6,5,4)		29	5	1008.0763	socket countersunk head screw M 8x20	
1	4	1006.1960	socket countersunk head screw M 6x16		30	1	4016.0500	grommet	
2	1	2016.0603	door catch						
3	1	2016.0605	plastic insert						
4	1	2016.1456	hex socket head cap screw M 10x70						
5	1	2016.1454	washer A10,5						
6	1	2016.1455	disc spring A 40x20						
7	4	1306.0120	washer A 6,4						
8	4	1106.0360	hex nut M6						
9	1	2016.1457	mounting base						
10	1	2016.1452	cam						
11	1	2016.1453	plastic washer						
12	1	2016.1450	door handle						
13	16	1305.0260	washer A 5,3						
14	16	1205.0360	spring washer						
15	16	1005.0661	hex socket head screw M 5x20						
16	2	2016.0604	ball catch female						
17	2	2016.1300	ball catch male						
18	1	5012.0701	set door gasket						
19	1	5012.0203	set window gasket						
20	2	1310.0160	washer A10,5						
21	1	2580.960495	holder plate						
22	2	2016.0802	door bolt						
23	1	2001.0104	compression spring						
24	1	2031.0900	washer						
25	1	5015.0803	door window						
26	1	5012.0550	set gasket for HGW						
27	50	1603.0165	rivet						





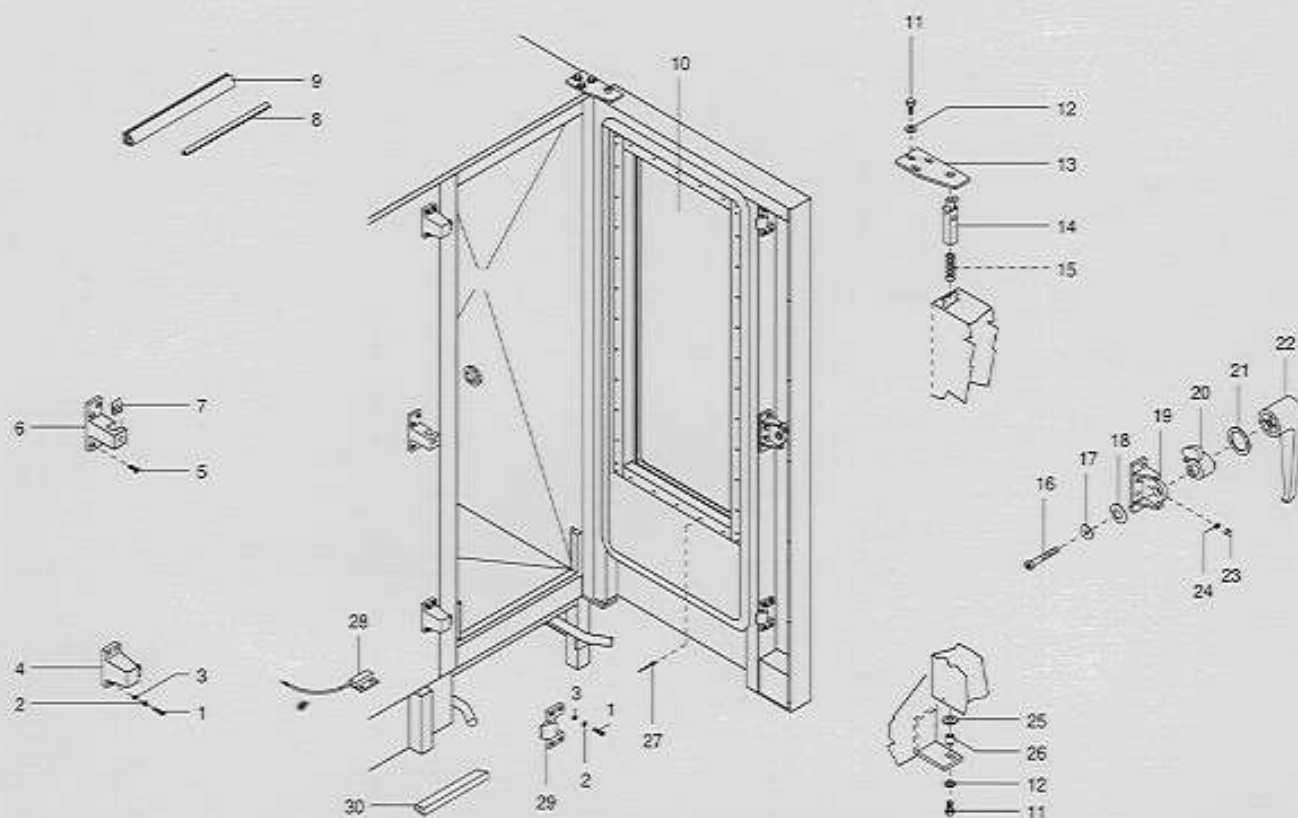
**Door**

Component Group	Page	Edition	applicable from Serial No.
<b>8</b>	<b>8.1</b>	<b>8.1.4</b>	<b>20189061132</b>

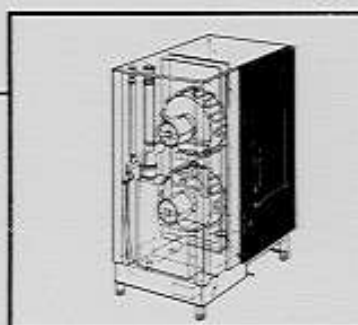


Pos.	Pcs.	Sp. Part No.	Description	Sign	Pos.	Pcs.	Sp. Part No.	Description	Sign
-	1	8202.11100489	door complete		28	1	3016.1400	door switch	S3
-	1	2016.1400	door lock complete		29	5	1008.0763	hex screw M 8x20	
1	4	1006.1960	socket countersunk head screw M 6x16		30	1	4016.0500	grommet	
2	1	2016.0603	door catch		31	1	2016.0866	locking knob	
3	1	2016.0605	plastic insert						
4	1	2016.1456	hex socket head cap screw M 10x70						
5	1	2016.1454	washer A10,5						
6	1	2016.1455	disc spring A 40x20						
7	4	1306.0120	washer A6,4						
8	4	1106.0360	hex cap nut M6						
9	1	2016.1457	mounting base						
10	1	2016.1452	cam						
11	1	2016.1453	plastic washer						
12	1	2016.1450	door handle						
13	16	1305.0260	washer A5,3						
14	16	1205.0360	spring washer						
15	16	1005.0661	hex socket cap screw M 5x20						
16	2	2016.0604	ball catch female						
17	2	2016.1300	ball catch male						
18	1	5012.0701	set door gasket						
19	1	5012.0203	set window gasket						
20	4	1310.0160	washer A10,5						
21	1	2680.960168	holder plate						
22	1	2016.0802	door bolt						
23	1	2001.0106	compression spring						
24	1	2031.0900	washer						
25	1	5015.0803	door window						
26	1	5012.0550	set gasket for HGW						
27	50	1603.0165	rivet						

Gerätetür Door	Spannung Voltage	Baugruppe Group	Ausgabe Edition	gültig ab Seriennummer Applicable from Serial.No.
	3 N AC 400V 50Hz	8	8.1.5	20196011001

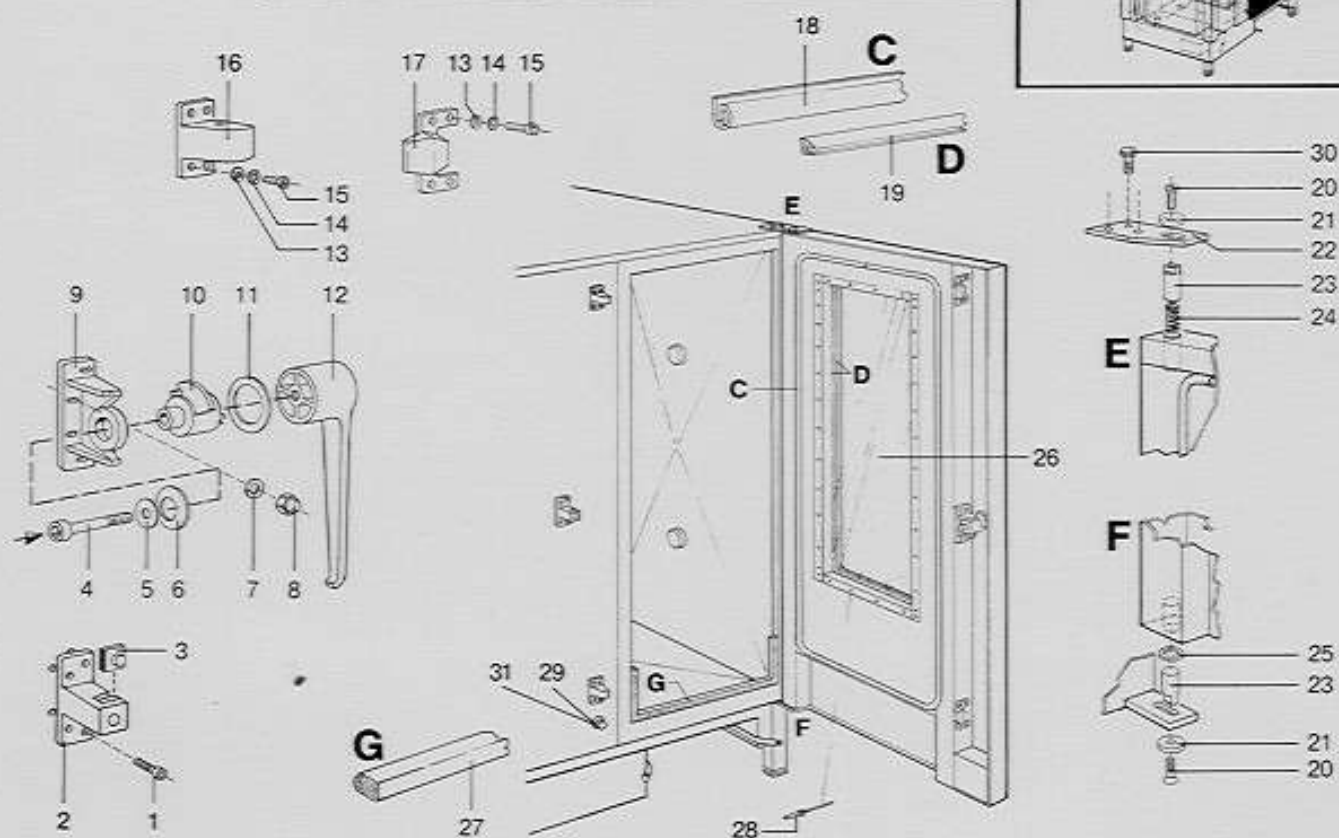


Pos.	St.	Ersatz.Nr.	Bezeichnung	Description
Pos.	Pcs.	Sp. Part No.		
-	1	8202.15000489	Türe kpl. Typ 201	Door cpl. type 201
-	1	2016.1400	Türschloß kpl.	Door lock cpl.
1	16	1005.0661	Zylinderschraube mit Innensechskant M5x20	Hex socket head screw M5x20
2	16	1205.0360	Federring d5	Spring-washer d5
3	16	1305.0260	Unterlegscheibe A5,3 DIN9021	Washer A5,3 DIN9021
4	2	2016.0604	Schließblock	Ball catch
5	4	1006.1960	Senkschraube mit Innensechskant M6x16	Hex socket countersunk head screw M6x16
6	1	2016.0603	Schließkloben	Door catch
7	1	2016.0605	Kunststoffeinsatz für Schließkloben	Plastic insert for door catch
8	1	5012.0203	Satz Dichtung für Scheibe 5,4 m Typ 201	Set window gasket 5,4 m type 201
9	1	5012.0701	Satz Türdichtung Typ 201	Set door gasket for type 201
10	1	5015.0803	Glasscheibe Typ 201	Door window
11	4	1008.0763	Sechskantschraube M8x20	Hex screw M8x20
12	4	1310.0160	Unterlegscheibe A10,5	Washer A 10,5
13	1	2680.960168	Türhalteplatte ab 04/89	Bracket top for door
14	1	2016.0866	Rastknebel für Türe	Door stopping bolt cpl.
15	1	2001.0106	Druckfeder Tür ab 04/89	Compression spring door
16	1	2016.1456	Zylinderschraube mit Innensechskant M10x70	Hex socket head screw M10x70
17	1	2016.1454	Unterlegscheibe A10,5 für Türschloß	Washer A10,5 for door lock
18	1	2016.1455	Tellerfeder A40x20 für Türschloß	Disc spring A40x20 for door lock
19	1	2016.1457	Lagerbock	Mounting base
20	1	2016.1452	Schnecke	Cam
21	1	2016.1453	Kunststoffscheibe f. Türschloß	Plastic washer
22	1	2016.1450	Türgriff	Door handle
23	4	1106.0360	Hutmutter M6, hohe Form	Cap nut M6, high shape
24	4	1306.0120	Unterlegscheibe A6,4 DIN125	Washer A6,4
25	1	2031.0900	Unterlegscheibe d15 für Türe bis 04/89	Washer 15 mm door
26	1	2016.0802	Türhaltebolzen d15x20	Door bolt d15x20
27	50	1603.0165	Blindniete 3,2x9,5	Rivet 3.2x9.5, CNS closed
28	1	3016.1415	Türkontaktschalter	Door contact switch
29	2	2016.1300	Schließplatte	Ball catch male
30	1	5012.0550	Satz Dichtung für HGW Typ 201	Set gasket for HGW

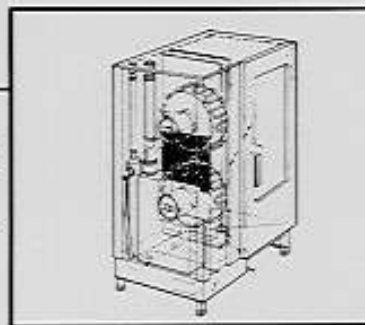


**Door**

Component Group	Page	Edition	applicable from Serial No.
<b>8</b>	<b>8.1</b>	<b>8.1.2</b>	<b>20187 081458</b>

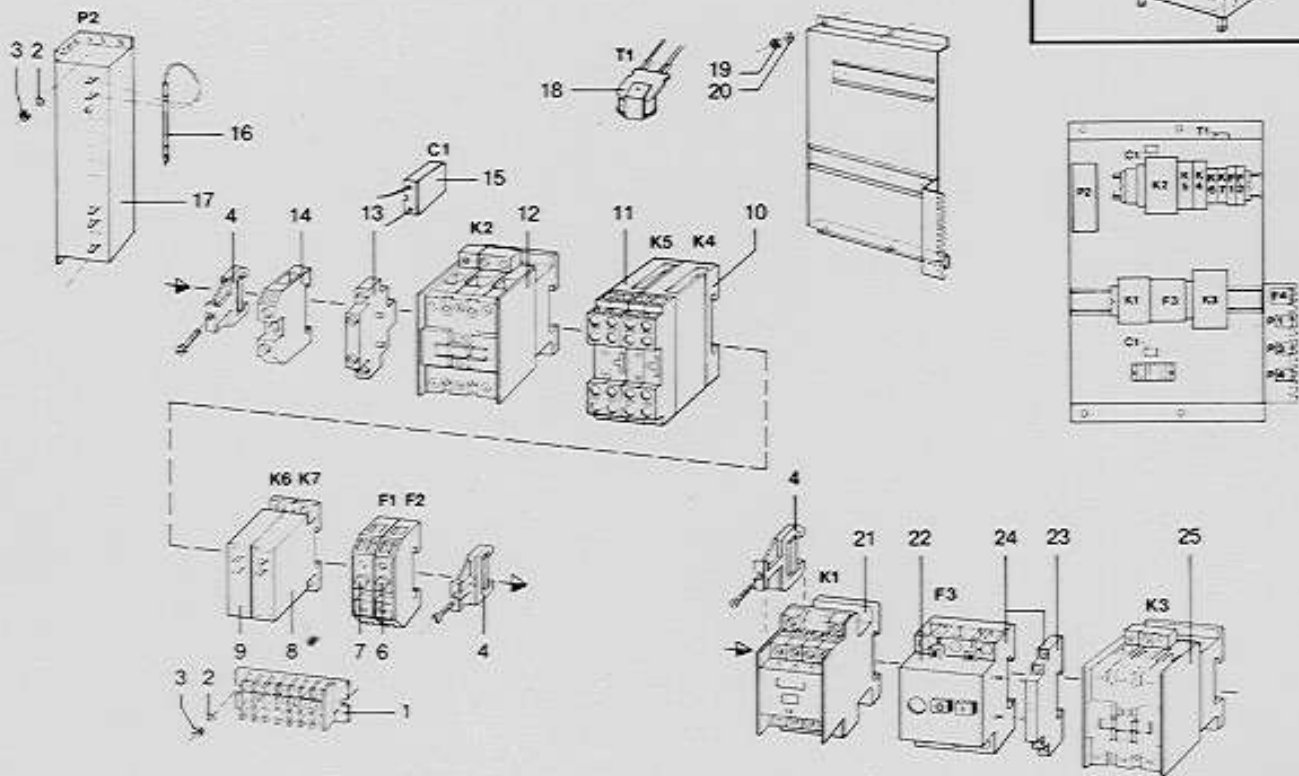


Pos.	Pcs.	Sp.	Part No.	Description	Sign	Pos.	Pcs.	Sp.	Part No.	Description	Sign
-	1		8202.1110	door complete		27	1		5012.0550	set gasket for HGW	
-	1		2016.1400	door lock complete (pos. 12,11,10,9,6,5,4)		28	50		1603.0165	rivet	
1	4		1006.1960	socket countersunk head screw M 6x16		29	1		3016.1400	door switch	S3
2	1		2016.0603	door catch		30	3		1008.0763	socket countersunk head screw M 8x20	
3	1		2016.0605	plastic insert		31	1		4016.0500	grommet	
4	1		2016.1456	hex socket head cap screw M 10x70							
5	1		2016.1454	washer A10,5							
6	1		2016.1455	disc spring A40x20							
7	4		1306.0120	washer A6,4							
8	4		1106.0360	hex nut M6							
9	1		2016.1457	mounting base							
10	1		2016.1452	cam							
11	1		2016.1453	plastic washer							
12	1		2016.1450	door handle							
13	16		1305.0260	washer A5,3							
14	16		1205.0360	spring washer							
15	16		1005.0661	hex socket head screw M 5x20							
16	2		2016.0604	ball catch female							
17	2		2016.1300	ball catch male							
18	1		5012.0701	set door gasket							
19	1		5012.0203	set window gasket							
20	2		1008.1960	socket countersunk head screw M 8x30							
21	2		2031.0800	rosette							
22	1		2580.960495	holder plate							
23	2		2016.0802	door bolt							
24	1		2001.0104	compression spring							
25	1		2031.0900	washer							
26	1		5015.0803	door window							



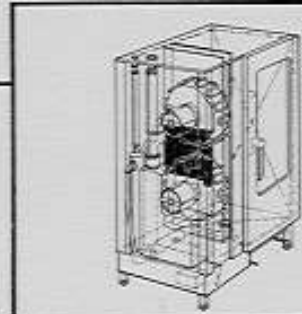
**Electrical Installation**

Component Group	Page	Edition	applicable from Serial No.
<b>2</b>	<b>2.1</b>	<b>2.1.1</b>	<b>20186 011001</b>



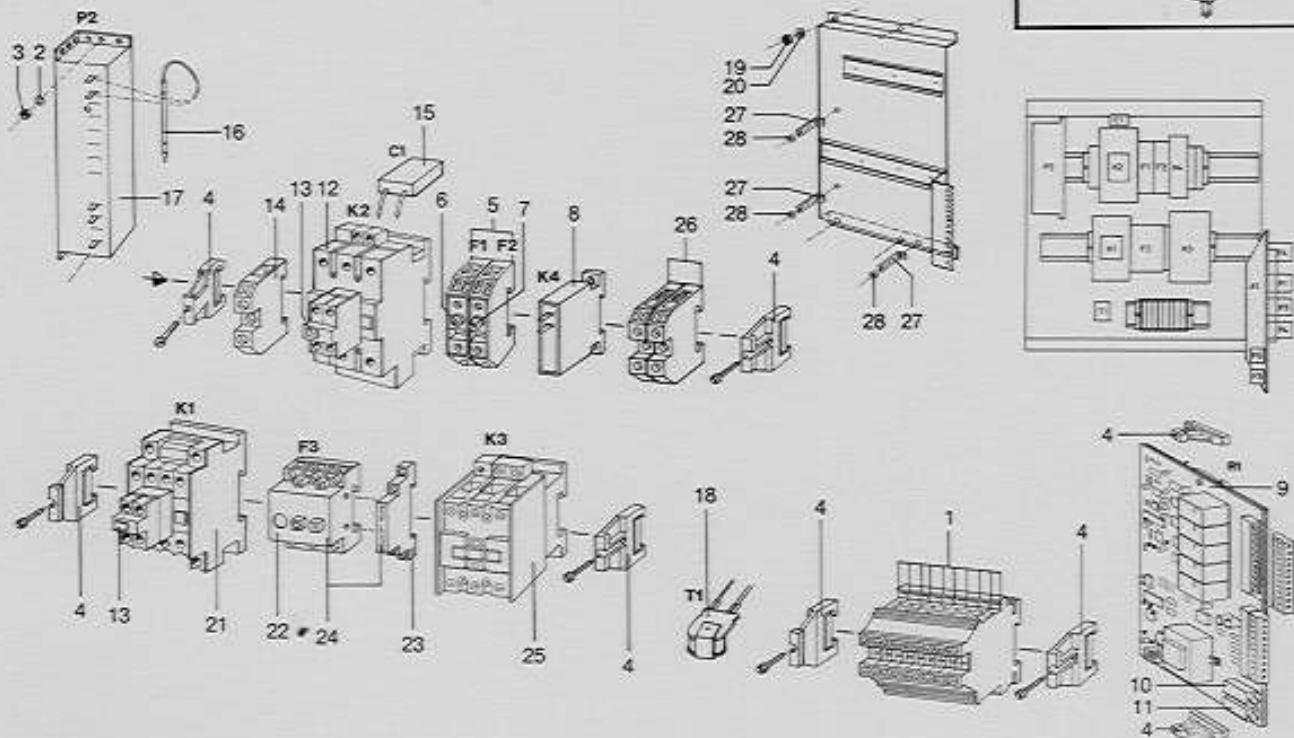
Pos.	Pcs.	Sp.	Part No.	Description	Sign
1	1		4001.1175	multi connector	
2	4		1304.0150	washer A 3,2	
3	4		1103.0120	hex nut M3	
4	3		4001.1201	endplate	
5	2		4001.1228	fuse holder	F1, F2
6	1		3019.0400	fuse 0,5 A	
7	1		3019.0200	fuse 6,3 A	
8	1		3035.0404	time relay 1 sec. start delay	K7
9	1		3035.0403	time relay - blinker	K6
10	1		3035.0402	time relay low water	K4
11	1		3035.0401	time relay generator filling	K5
12	1		3028.0102	contactor for hot air heating	K2
13	1		3028.0150	auxiliary contact for contactor K2	
14	1		4001.1209	terminal block grey 16 mm <sup>2</sup>	
15	2		3035.0508	RC-link	C1
16	1		3014.0120	temperature sensor for controller P2	
17	1		3014.0110	solid state steam controller	P2
18	1		3006.0101	buzzer	T1
19	4		1108.0260	hex nut M 8	
20	4		1208.0160	toothed lock washer A 8,4	
21	1		3028.0100	motor contactor	K1
22	1		3031.0107	motor protector	F3
23	1		3031.0102	auxiliary contact for motor protector F 3	
24	1		3031.0103	motor protector with auxiliary contact	
25	1		3028.0102	contactor for steam generator heating	K3





**Electrical Installation**

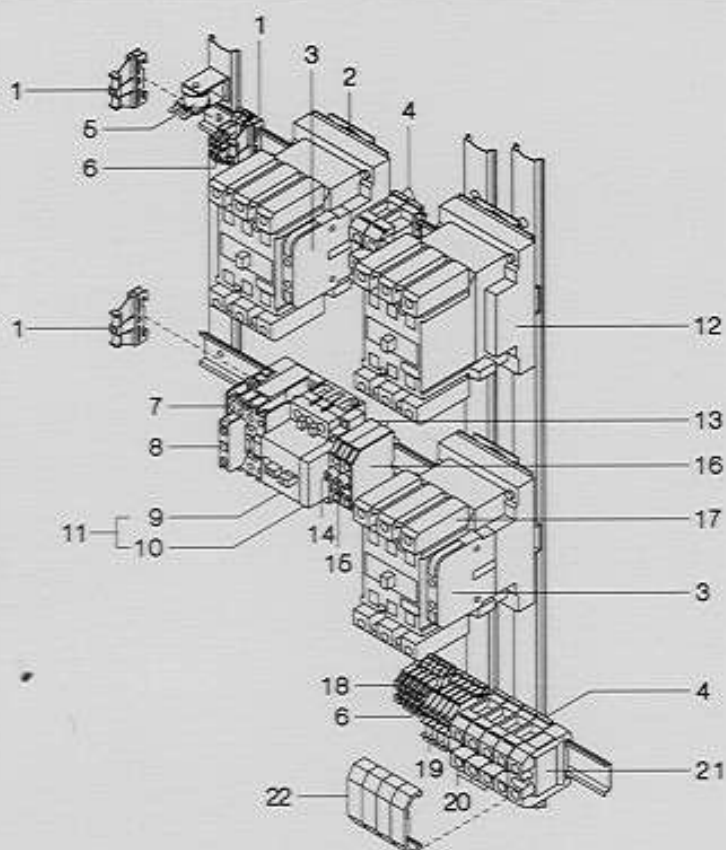
Component Group	Page	Edition	applicable from Serial No.
<b>2</b>	<b>2.1</b>	<b>2.1.3</b>	<b>201 89 10 4001</b>



Pos.	Pcs.	Sp. Part No.	Description	Sign	Pos.	Pcs.	Sp. Part No.	Description	Sign
1	9	4001.1176	multi point connector		28	3	1105.0122	hex-combi-nut M5	
2	2	1304.0150	washer A3,2						
3	2	1103.0120	hex nut M3						
4	8	4001.1203	endplate						
5	2	4001.1228	fuse holder	F1,F2					
6	1	3019.0400	fuse 0,5 A						
7	1	3019.0200	fuse 6,3 A						
8	1	3035.0404	time relay 1 sec. start delay	K4					
9	1	3002.0400	level control pcb	A1					
10	1	3019.0130	fuse 0,315 A	F5					
11	1	3019.0110	fuse 0,1 A	F6					
12	1	3028.0102	contactor for hot air heating	K2					
13	2	3028.0151	auxiliary contact for contactor K2/K1						
14	1	4001.1252	terminal block blue 35 mm <sup>2</sup>						
15	2	3035.0514	RC-link	C1					
16	1	3014.0152	sensor for bypass P2						
17	1	3014.0113	solid state steam controller	P2					
18	1	3006.0101	buzzer	T1					
19	4	1108.0260	hex nut M8						
20	4	1208.0160	toothed lock washer A8,4						
21	1	3028.0100	motor contactor	K1					
22	-	3031.0107	motor protector						
23	-	3031.0102	auxiliary contact for motor protector F3						
24	1	3031.0103	motor protector with auxiliary contact	F3					
25	1	3028.0102	contactor for steam generator heating	K3					
26	2	4001.1216	terminal block grey 4 mm <sup>2</sup>						
27	3	2020.0401	cable clamp						

**Electrical Installation**

Voltage	Group	Page	Edition	Application from Serial. No.
<b>3 N AC 380V 50Hz</b>	<b>2</b>	<b>2.1</b>	<b>2.1.4</b>	<b>20191042001</b>



Pos.	Pcs.	Sp.	Part No.	Description	Sign.
1	3		4001.1203	end plate	
2	1		3028.0513	contactor hot air	K3
3	2		3028.0520	auxiliary contact for K3/ K1	
4	3		4001.1252	terminal block 35mm <sup>2</sup> blue	
5	1		3006.0101	alarm buzzer	T1
6	6		4001.1216	terminal block 4mm <sup>2</sup> grey	
7	1		3028.0506	motor contactor	K2
8	1		3028.0156	auxiliary contact for K2	
9	-		3031.0107	motor protector	
10	-		3031.0102	auxiliary contact for F2	
11	1		3031.0103	motor protector cpl.	F3
12	1		3028.0513	contactor steam generator	K4
13	2		4001.1228	fuse holder	F1,F2
14	1		3019.0200	fuse 6,3A	F1
15	1		3019.0400	fuse 0,5A	F2
16	1		4001.1227	cover for fuse holder	
17	1		3028.0513	main contactor	K1
18	1		4001.1222	earth terminal 4mm <sup>2</sup>	
19	5		4001.1176	terminal block	
20	3		4001.1206	terminal block 35mm <sup>2</sup> grey	
21	1		4001.1233	earth terminal 35mm <sup>2</sup>	
22	4		4001.1215	cover for terminal block 35mm <sup>2</sup>	

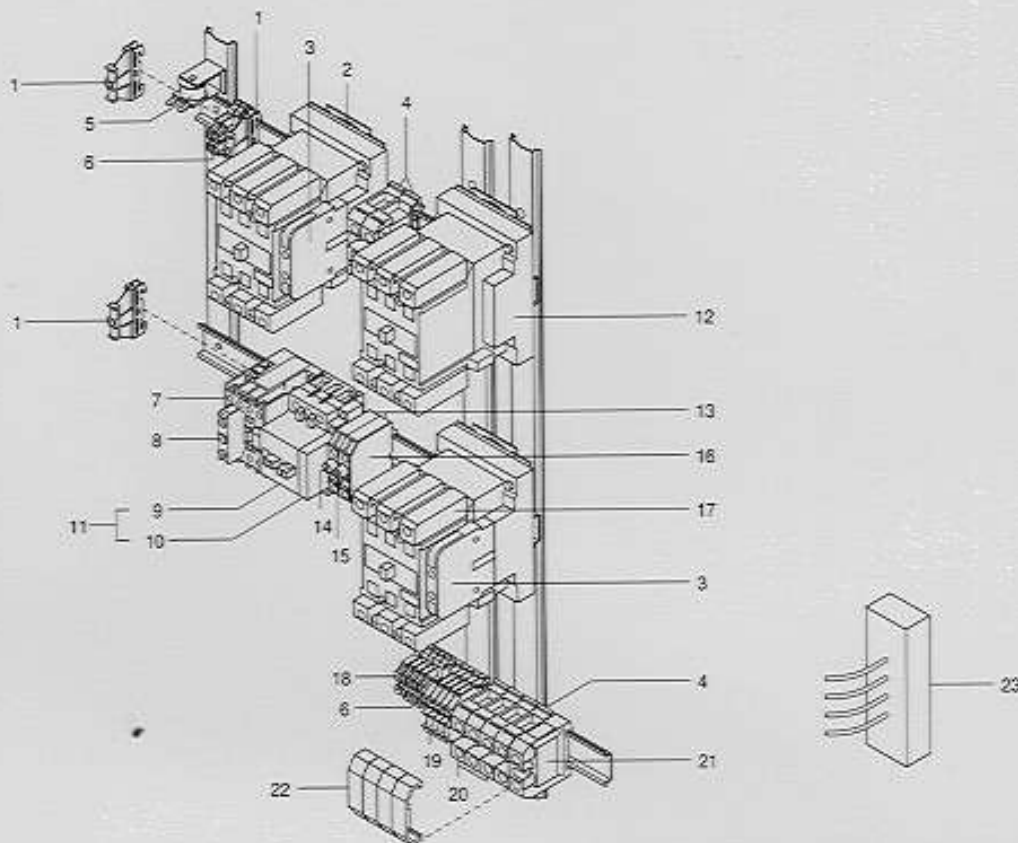
**Elektromontageplatte**  
**Electrical installation**

Spannung  
Voltage  
3 N AC 400V 50Hz

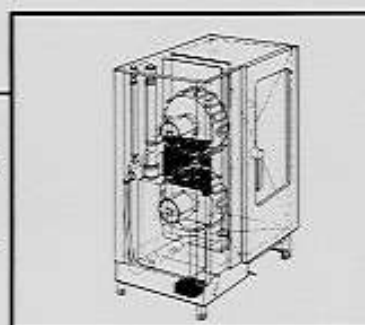
Baugruppe  
Group  
2

Ausgabe  
Edition  
2.1.5

gültig ab Seriennummer  
Applicable from Serial.No.  
20196011001

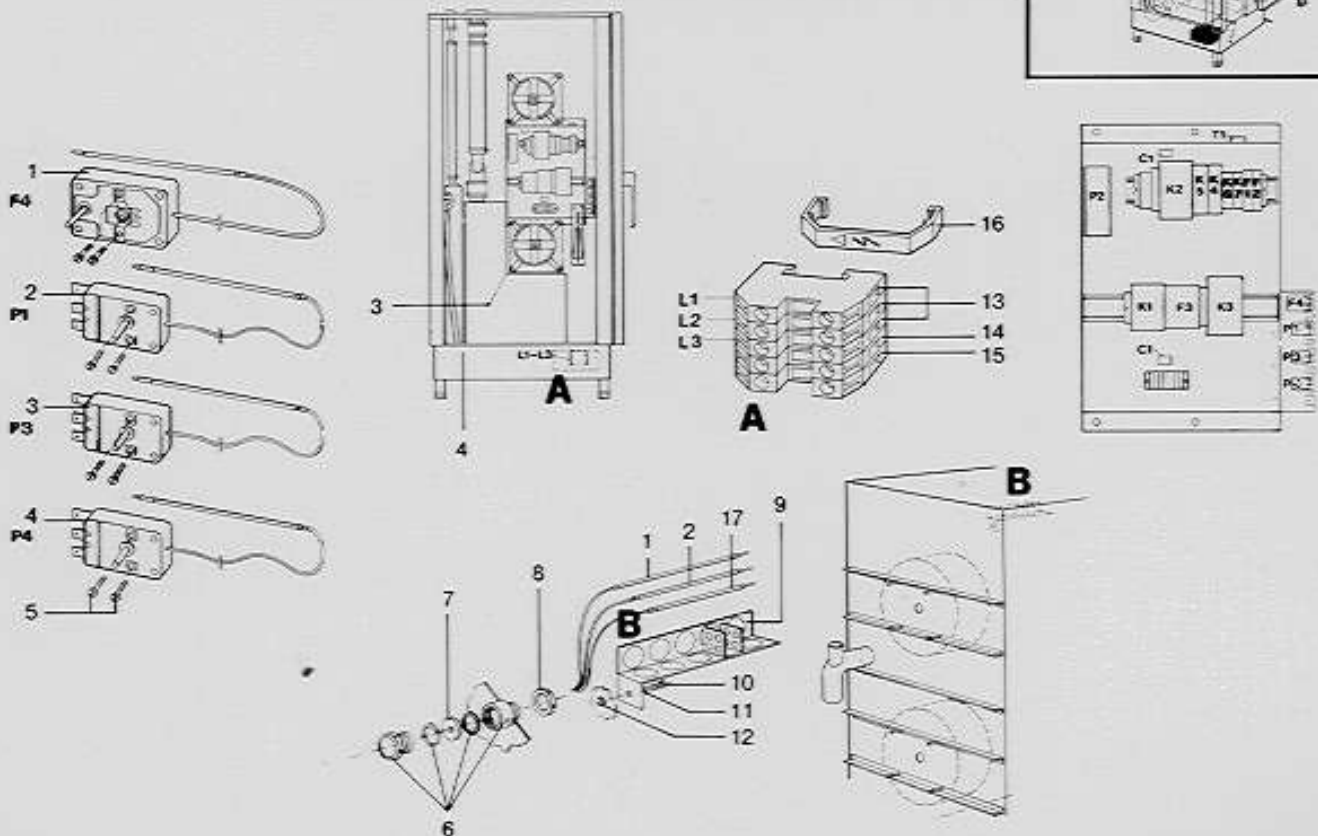


Pos.	St.	Ersatz.Nr.	Bezeichnung	Description
Pos.	Pcs.	Sp. Part No.		
1	3	4001.1203	Endklammer für Tragschiene	End plate for mounting rail
2	1	3028.0513	Schütz LS 47.00 200-240V 50Hz	Contacteur LS 47.00 200-240V 50Hz
3	2	3028.0520	Hilfskontakt HS 107 für Schütz LS 47 - LS 57	Auxiliary contact switch HS 17.01
4	3	4001.1252	Reihen клемме 35qmm blau	Terminal block, blue 35 qmm
5	1	3006.0101	Alarmsummer, 230 V	Buzzer, 230 V
6	6	4001.1216	Reihen клемме 4qmm grau	Terminal 4sqmm grey
7	1	3028.0506	Schütz LS 04.10 200-240V 50/60Hz	Contacteur LS 04.10 200-240V 50/60 Hz
8	1	3028.0156	Hilfskontakt HS 17.01 (für LS4-37) Öffner	Auxiliary contact HS 17.01
9	-	3031.0107	Motorschutzschalter 1,6-2,5A	Motor protector 1,6-2,5
10	-	3031.0102	Hilfskontakt NHi 10 für PKZ	Auxiliary contact for motor protector NHI 10
11	1	3031.0103	Motorschutzschalter 1,6-2,5 A. kpl.	Motor protector 1,6-2,5A, with auxiliary contact
12	1	3028.0513	Schütz LS 47.00 200-240V 50Hz	Contacteur LS 47.00 200-240V 50Hz
13	2	4001.1228	Reihen-Sicherungsklemme	Fuse holder terminal block
14	1	3019.0200	Feinsicherung 5x20 6,3A	Fuse 6,3A
15	1	3019.0400	Feinsicherung 5x20 0,5A	Fuse 0,5A
16	1	4001.1227	Endplatte für Reihen-Sicherungsklemme	End plate for fuse holder
17	1	3028.0513	Schütz LS 47.00 200-240V 50Hz	Contacteur LS 47.00 200-240V 50Hz
18	1	4001.1222	Erdungsklemme 4qmm	Terminal block yellow/green 4 qmm
19	5	4001.1176	Reihenverteiler	Terminal block plug type
20	3	4001.1206	Reihen клемме 35qmm grau	Terminal block 35qmm grey
21	1	4001.1233	Erdungsklemmen 35qmm gelb-grün	Terminal block yellow/green 35qmm
22	4	4001.1215	Warnabdeckung für Reihen клемме 35qmm	Cover for terminal block 35qmm
23	1	3001.0452	Entstörfilter	Electronic noise filter



**Electrical Installation**

Component Group	Page	Edition	applicable from Serial No.
<b>2</b>	<b>2.2</b>	<b>2.2.1</b>	<b>20186 011001</b>

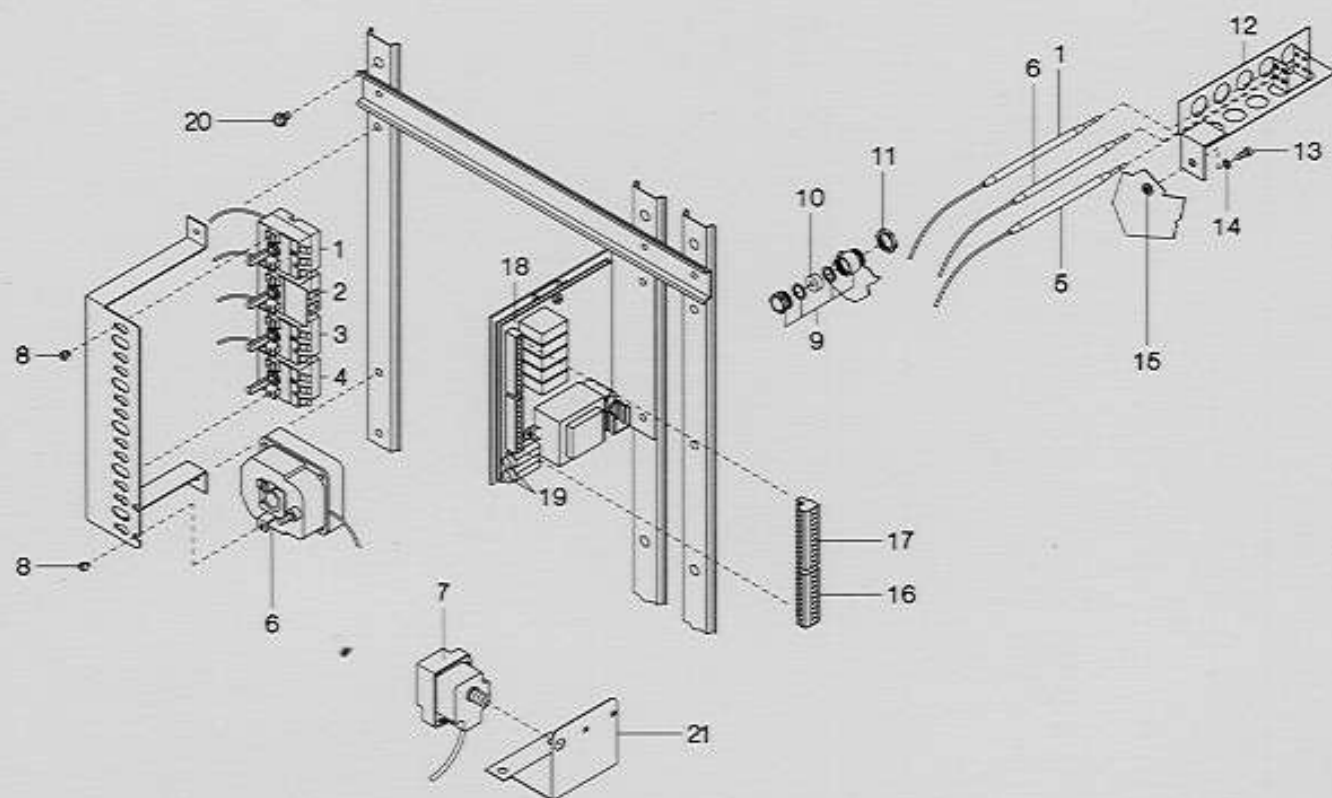


Pos.	Pcs.	Sp.	Part No.	Description	Sign
1	1		3014.0310	bi-limit safety thermostat	F4
2	1		3014.0311	thermostat "unit too hot"	P1
3	1		3014.0314	thermostat steam generator	P3
4	1		3014.0312	thermostat quenching system	P4
5	8		1004.0060	slotted pan head screw M 4x4	
6	1		4007.0600	cable connection PG9	
7	1		2022.0100	gasket	
8	1		4007.0601	lock nut for cable connection	
9	1		8430.7002	holder for thermostat complete	
10	1		1004.0660	hex socket head cap screw M 4x10	
11	1		1204.0120	toothed lock washer A 4,3	
12	1		1104.0400	rivet nut M4	
13	3		4001.1206	terminal block grey 35 mm <sup>2</sup>	
14	1		4001.1252	terminal block blue 35 mm <sup>2</sup>	
15	1		4001.1233	terminal block yellow/green 35 mm <sup>2</sup>	
16	4		4001.1215	cover	
17	1		3014.0318	thermostat hot air heating	P5



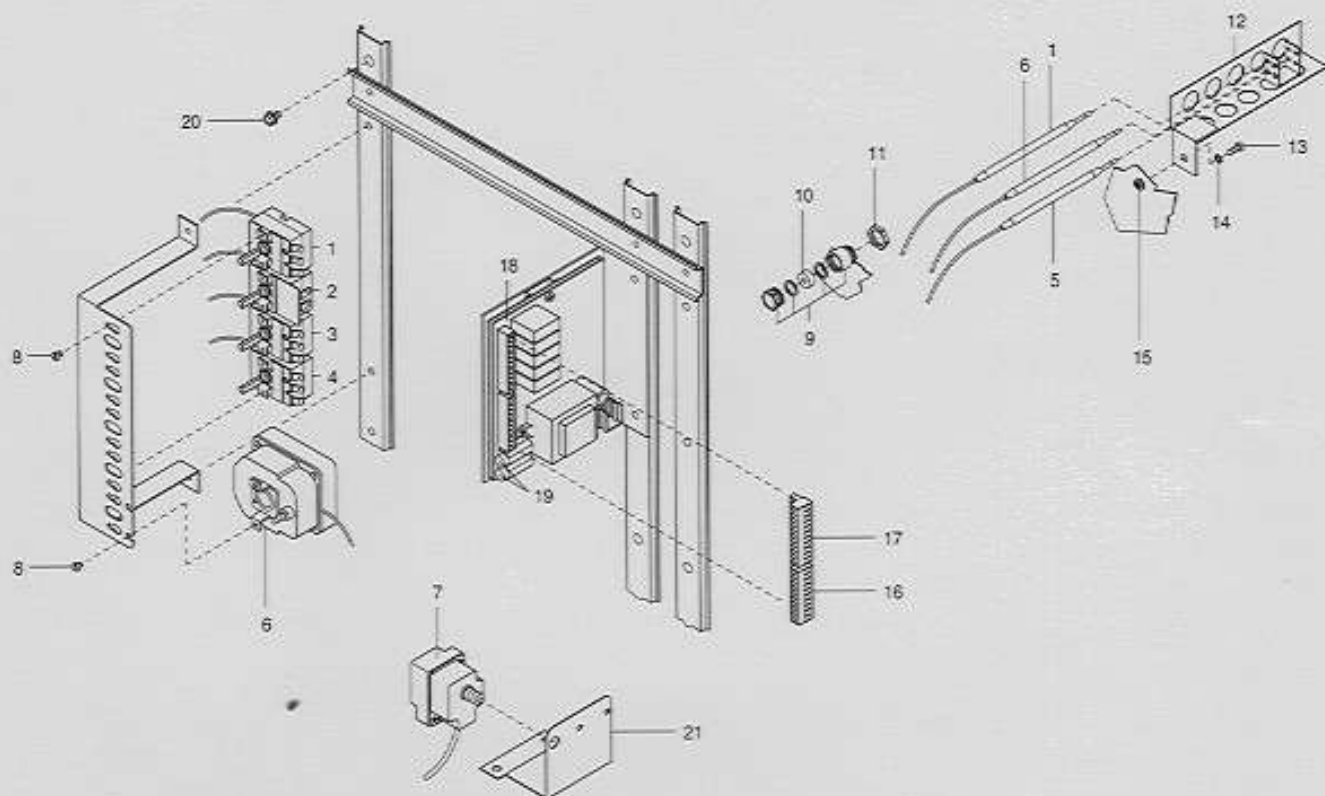
**Electrical Installation**

Voltage	Group	Page	Edition	Application from Serial. No.
<b>3 N AC 380V 50Hz</b>	<b>2</b>	<b>2.2</b>	<b>2.2.2</b>	<b>20191042001</b>

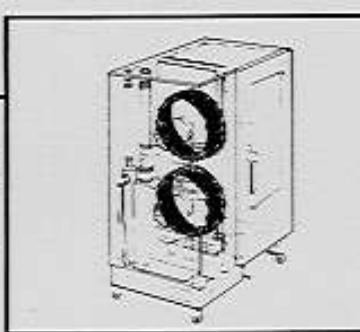


Pos.	Pcs.	Sp.	Part No.	Description	Sign.
1	1		3014.0311	thermostat unit too hot	P1
2	1		3014.0155	thermostat bypass	P2
3	1		3014.0314	thermostat preheating	P3
4	1		3014.0312	thermostat quenching system	P4
5	1		3014.0318	thermostat hot air heating	P5
6	1		3014.0310	bi-limit safety thermostat	F4
7	1		3014.0300	dry up protector	F5
8	10		1004.0060	slotted pan head screw M4x4	
9	1		4007.0600	cable connection PG9	
10			2022.0100	gasket	
11	1		4007.0601	lock nut PG9	
12	1		8430.7002	holder for thermostat cpl.	
13	1		1004.0660	hex socket head screw M4x10	
14	1		1204.0120	toothed lock washer A4,3	
15	1		1104.0400	rivet nut M4	
16	1		3040.0193	multipoint connector BL11	
17	1		3040.0192	multipoint connector BL10	
18	1		3002.0400	level control pcb	A1
19	2		3019.0130	fuse 0,315A	F6,F7
20	6		1005.2000	safety screw M5x8	
21	1		2520.311089	holding angle	

<b>Elektromontageplatte</b> <b>Electrical installation</b>	Spannung Voltage	Baugruppe Group	Ausgabe Edition	gültig ab Seriennummer Applicable from Serial.No.
	3 N AC 400V 50Hz	2	2.2.3	20196011001

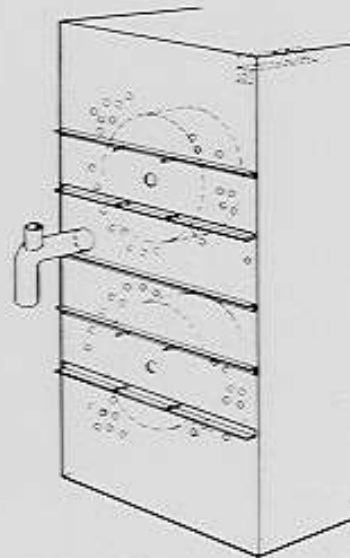
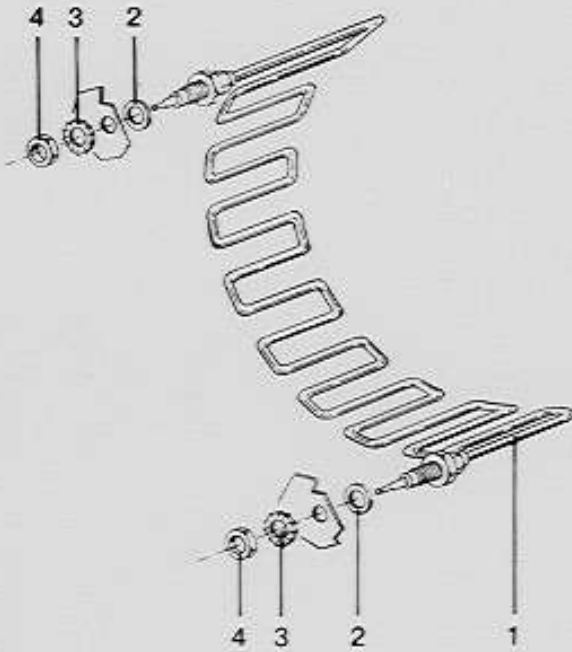


Pos.	St.	Ersatz.Nr.	Bezeichnung	Description
Pos.	Pcs.	Sp. Part No.		
1	1	3014.0311	Thermostat „Gerät zu heiß“, CD	Thermostat unit „too hot“, CD
2	1	3014.0155	Thermostat Bypass CD ab 04/91	Thermostat bypass CD ab 4/91
3	1	3014.0314	Thermostat Dampfgenerator, 60°-180° C	Thermostat preheating steam generator
4	1	3014.0312	Thermostat Ablöschung, CD	Thermostat quenching system, CD
5	1	3014.0318	Thermostat Heißluftheizung 60-300°C	Thermostat hot air 60-300°C from 03/88
6	1	3014.0310	Sicherheitstemperaturbegrenzer 360°C	Bi-limit safety thermostat 360°C
7	1	3014.0300	Trockengehschutz 125°C	Dry up protector 125°C
8	10	1004.0060	Zylinderschraube mit Schlitz M4x4	Slotted pan head screw M4x4
9	1	4007.0600	Kabelverschraubung PG 9 Metall	Cable connection PG9
10	1	2022.0100	Silikondurchführung rot 15x4mm	Silicone gasket red
11	1	4007.0601	Sechskantmutter für PG9 Metall	Lock nut for cable connection PG 9
12	1	8430.7002	Halter für Thermostatfühler kpl.	Holder for thermostat CD
13	1	1004.0660	Zylinderschraube mit Innensechskant M4x10	Hex socket head screw M4x10
14	1	1204.0120	Zahnscheibe A4,3	Toothed lock washer A4,3
15	1	1104.0400	Nietmutter M4	Rivet nut M4
16	2	3040.0193	Steckerleiste BL11 Platine Wasserstand	Multipoint connector BL11 for water level PCB
17	1	3040.0192	Steckerleiste BL 10 Platine Wasserstand	Multipoint connector BL10 for water level PCB
18	1	3002.0408	Regelplatine Wasserstand 220V 50/60Hz	Level control pcb for steam-generator
19	2	3019.0135	Feinsicherung 5x20 - 0,315A	Fuse 0,315A
20	6	1005.2000	Sperrzahnschraube M5x8	Interlocking tooth screw M5x8
21	1	2520.311089	Halterung für Trockengehschutz	Holder for dry up protector



**Hot Air Heating**

Component Group	Page	Edition	applicable from Serial No.
<b>5</b>	<b>5.1</b>	<b>5.1.1</b>	<b>20186 011001</b>

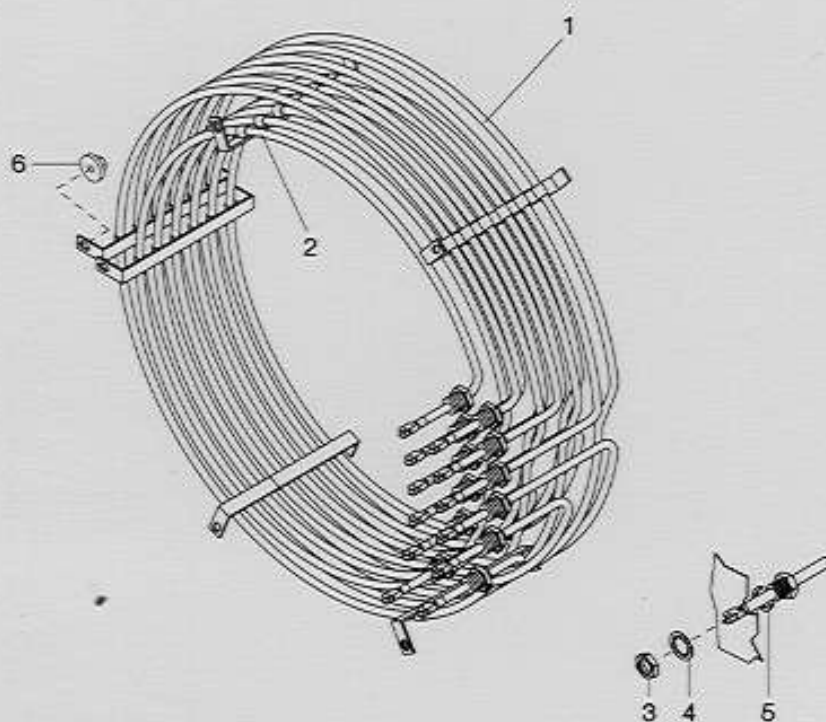


Pos.	Pcs.	Sp.	Part No.	Description	Sign
1	18		3004.1403	heating element 2 kW	
2	36		3004.1404	copper washer	
3	36		3004.1405	toothed lock washer	
4	36		3004.1406	hex nut M14	

Note: heating elements are delivered with positions 2,3 and 4.

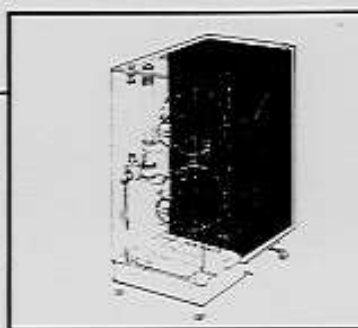
**Hot Air Heating**

Voltage	Group	Page	Edition	Application from Serial. No.
<b>3 N AC 380V 50Hz</b>	<b>5</b>	<b>5.1</b>	<b>5.1.2</b>	<b>20191042001</b>



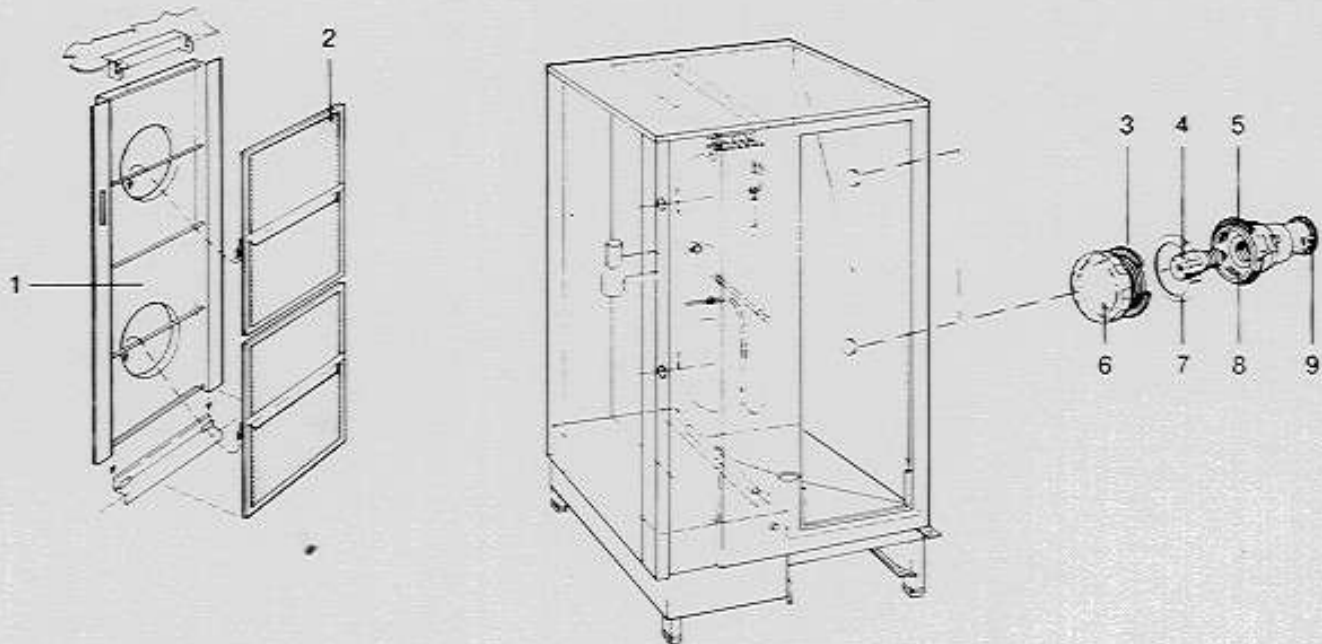
Pos.	Pcs.	Sp. Part No.	Description	Sign.
-	2	3004.3519	heating assembly cpl.	
1	2	3004.3528	heating assembly outer ring	
2	2	3004.3529	heating assembly inner ring	
3	24	3004.1406	hex nut M14	
4	24	3004.1405	toothed lock washer	
5	24	3004.1404	copper washer	
6	12	1106.0801	hex-combi-nut M6	



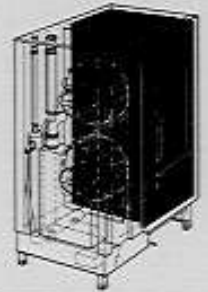


**Interior Cabinet**

Component Group	Page	Edition	applicable from Serial No.
<b>7</b>	<b>7.1</b>	<b>7.1.1</b>	<b>20186 011001</b>

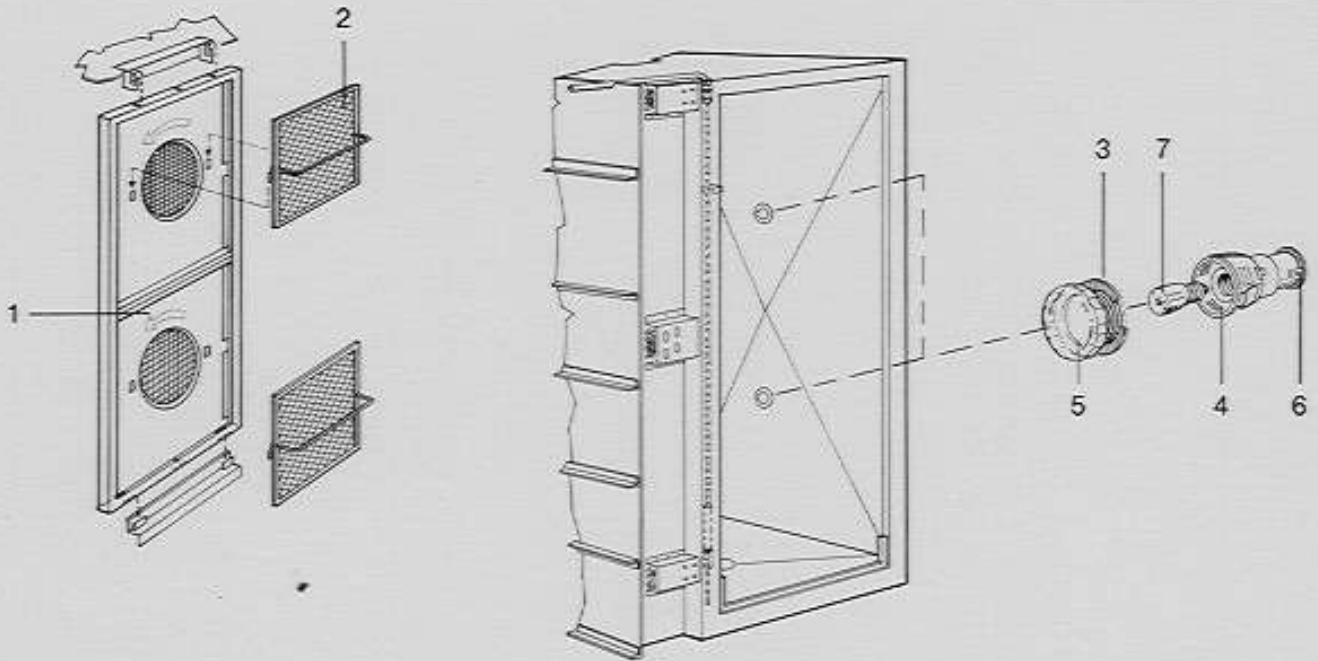


Pos.	Pcs.	Sp.	Part No.	Description	Sign
-	2		3023.0501	interior lamp complete	
1	1		8010.1000	air baffle	
2	2		2010.0700	fat filter	
3	2		5012.0509	gasket for lamp lens	
4	2		3024.0200	bulb, heat-resistant	
5	2		5012.0508	gasket for lamp socket	
6	2		3025.0002	lamp lens	
7	2		3035.0003	metal ring	
8	2		3023.0502	socket for interior lamp	H1, H2
9	2		5012.0514	insulation paper	



**Interior Cabinet**

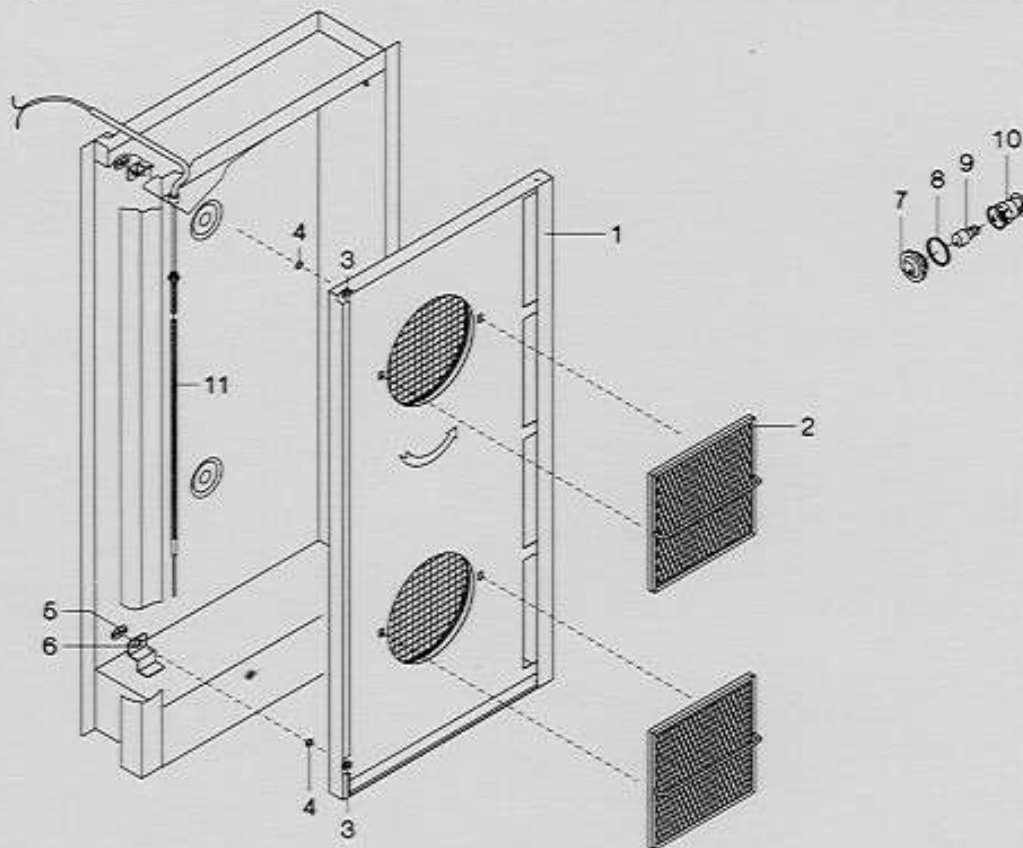
Component Group	Page	Edition	applicable from Serial No.
<b>7</b>	<b>7.1</b>	<b>7.1.2</b>	<b>20187061358</b>



Pos.	Pcs.	Sp. Part No.	Description	Sign
-	2	3023.0501	interior lamp complete	
1	1	8010.1000	air baffle	
2	2	2010.0710	fat filter	
3	2	5012.0535	gasket lamp lens	
4	2	3023.0502	socket for interior lamp	H1,H2
5	2	3025.0002	lamp lens	
6	2	2580.980589	insulation paper	
7	2	3024.0200	bulb, heat-resistant	

**Interior Cabinet**

Voltage	Group	Page	Edition	Application from Serial. No.
3 N AC 380V 50Hz	7	7.1	7.1.3	20191042001



Pos.	Pcs.	Sp.	Part No.	Description	Sign.
-	2		3023.0501	interior lamp cpl.	
1	1		8011.1212	air baffle cpl.	
2	2		2010.0710	fat filter	
3	2		2043.0201	locking pin	
4	2		2043.0203	holder plate for quick acting closure	
5	2		2043.0202	locking tappet	
6	4		1604.0162	rivet 4x9mm	
7	2		3025.0002	lamp lens	
8	2		5012.0535	gasket	
9	2		3024.0200	bulb, heat resistant	
10	2		3023.0506	socket for interior lamp	H1,H2
11	1		3035.0608	sensor core temperature	

**Sonstiges / Miscellaneous**

 Baugruppe / Group: **12** Ausgabe / Edition: **12.1.1**

 Gültig ab Seriennummer / Applicable from serial. no.: **E21DA97061001**

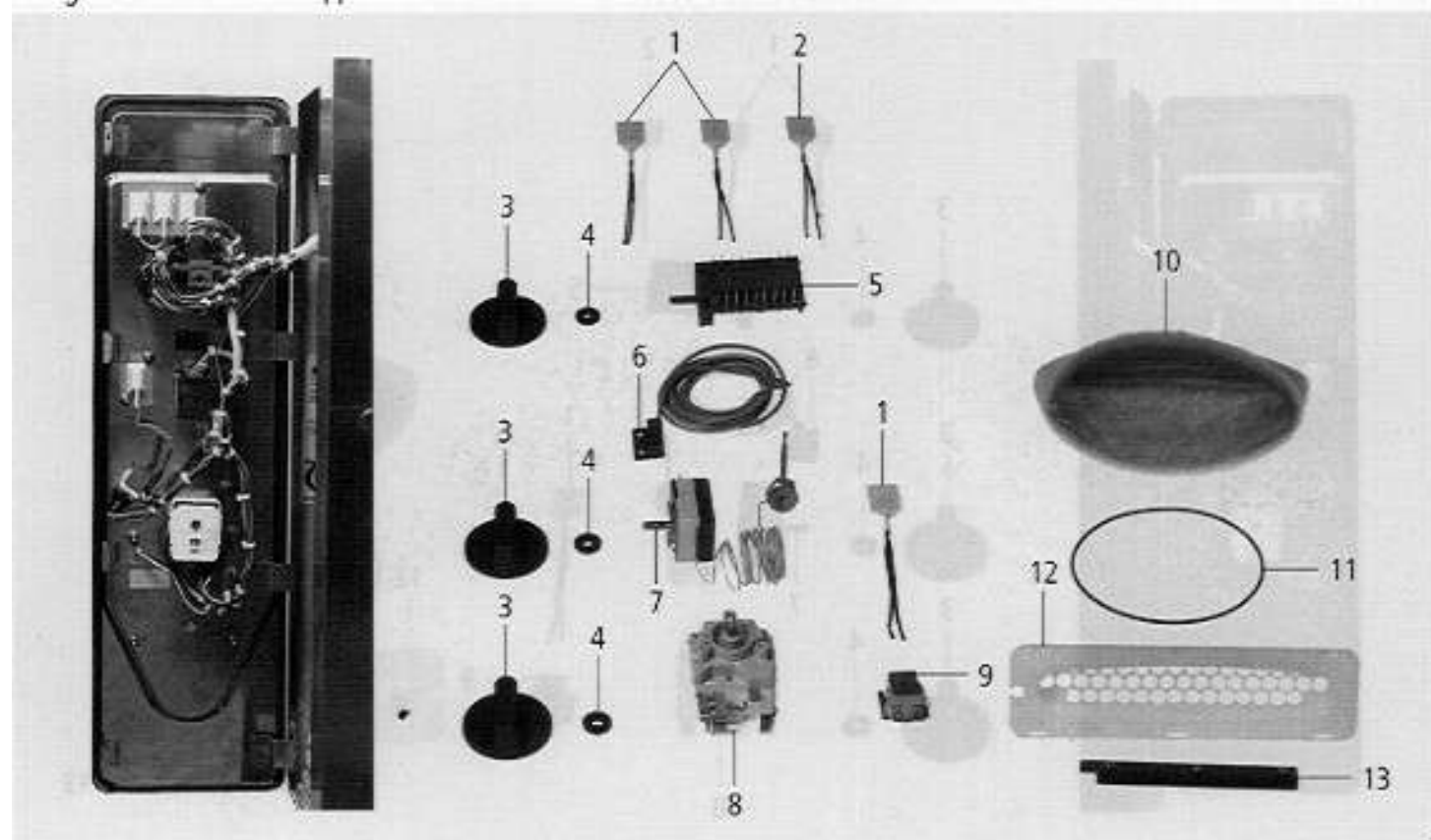
Pos.	Ersatzteilnr. / Spare part no.	Bezeichnung	Description
1	1003.2260	Linsensenk-Blechschaube HC4,2x16	Raised countersunk head - self-tapping screw HC4,2x16
2	1004.2160	Sechskant Blechschaube B4,2x16	Hex head tapping screw B4, 2x16
3	1104.0821	Blechmutter B3,9	Climp B3,9
4	1107.0100	Schnellbefestiger d4,0 mm	Quick fastener d4.0 mm
5	1107.0101	Schnellbefestiger d5,0mm	Quick fastener d5,0mm
6	1107.0102	Schnellbefestiger d12mm	Quick fastener d12mm
7	1107.0103	Schnellbefestiger d3mm	Quick fastener d3mm
8	1311.2260	Schraubenrosette 5x12,5	Rosette 5x12,5
9	1603.0165	Blindniete 3,2x9,5	Blind rivet 3,2x9,5
10	1901.0042	Blechklammer für Außenmantel	Clamp for exterior cabinet
11	1901.0044	Blechklammer für Deckel bis 05/95	Clamp for cover up to 05/95
12	2001.0042	Loctite Schraubensicherung 10ml	Screw locking, heat resistant 10ml
13	2005.0603	Lenkrolle d/125 mit Feststeller	Castor d/125 with stopper
14	2005.0604	Lenkrolle d/125 ohne Feststeller	Castor d/125 without stopper
15	2039.0111	Metall-Einsteckfuß 40x40	Foot adjustable metal, 40 x 40
16	2039.0120	Fußoberteil 85mm	Upper part of pedestal 85mm
17	2039.0121	Fußunterteil	Lower part of pedestal
18	3016.1409	Magnet rund Tischgeräte	Magnet round table models
19	4002.0100	Flachsteckhülse 2,5x6,3	Cable shoes 2,5x6,3
20	4004.0100	Aderendhülse 1,0mm <sup>2</sup>	Wire end sleeve 1,0mm <sup>2</sup>
21	4004.0101	Aderendhülse 1,5mm <sup>2</sup>	Wire end sleeve 1,5mm <sup>2</sup>
22	4004.0102	Aderendhülse 2,5mm <sup>2</sup>	Wire end sleeve 2,5mm <sup>2</sup>
23	4004.0103	Aderendhülse 4mm <sup>2</sup>	Wire end sleeve 4mm <sup>2</sup>
24	4004.0104	Aderendhülse 6mm <sup>2</sup>	Wire end sleeve 6mm <sup>2</sup>
25	4004.0105	Aderendhülse 10mm <sup>2</sup>	Wire end sleeve 10mm <sup>2</sup>
26	4004.0106	Aderendhülse 16mm <sup>2</sup>	Wire end sleeve 16mm <sup>2</sup>
27	4004.0114	Aderendhülse 0,75mm <sup>2</sup>	Wire end sleeve 0,75mm <sup>2</sup>
28	4005.0101	Kabelbinder 145mm lang	Cable strap 145mm long
29	4005.0102	Kabelbinder 100mm lang	Cable strap 100mm long
30	4007.0305	Kabelverschraubung PG 21	Screw-type conduit fitting PG 21
31	4007.0306	Reduzierstück PG 29/21	Reducing socket PG 29/21
32	4007.0405	Kabelverschraubung PG 16	Screw-type conduit fitting PG 16
33	4007.0406	Reduzierstück PG 29/16	Reducing socket PG 29/16
34	4007.0521	Sechskantmutter für PG 13,5	Hex screw for PG 13,5
35	4007.0526	Sechskantmutter für PG 21	Hex screw for PG 21
36	4007.0604	Kabelverschraubung PG 42 mit Zugentlast.	Cable connection PG 42, strain relief
37	4007.0605	Sechskantmutter PG42	Lock nut cable connection PG 42
38	4007.0606	Kabelverschraubung PG 36	Screw-type conduit fitting PG 36
39	4007.0607	Sechskantmutter für PG 36	Hex screw for PG 36
40	4007.0614	Stopfen PG 13,5	Plug PG 13,5
51	4007.0615	Stopfen PG 21	Plug PG 21
52	4007.0621	Durchführungsstülpe d 36mm	Lead-in grommet d 36 mm
53	5003.0300	Isolierung Dampfgenerator 1250x1250mm	Insulation steam generator 1250x1250mm
54	5006.0200	Tube Silikon E41	Silicone (tube) E41
55	5006.0500	Kleber Isolierung Dampfgenerator 310ml	Adhesive insulation steam generator 310ml
56	6004.0100	Handdruck Sprühpistole	Spray-pistol
57	6004.0101	Verlängerung Handdruck Sprühpistole	Lengthening piece for spray-pistol
58	6004.0102	Dichtung Handdruck Sprühpistole	Gasket for spray-pistol
59	6004.0203	Entkalker-Fußpumpe	Descaler foot pump
60	6006.0101	RATIONAL Spezialreiniger	RATIONAL special cleaning agent
61	6006.0110	RATIONAL Entkalker	RATIONAL descaler
62	9003.0202	Unimoly plus, 180 °C	Unimoly plus, 180 °C
63	9006.0850	Metallwaschcreme	Stainless steel cleaning paste



**Bedienblende / Control panel**

 Spannung / Voltage: **3 N AC 400V 50Hz**

 Baugruppe / Group: **1** Ausgabe / Edition: **1.1.1**

 Gültig ab Seriennummer / Applicable from serial. no.: **E21DA97061001**


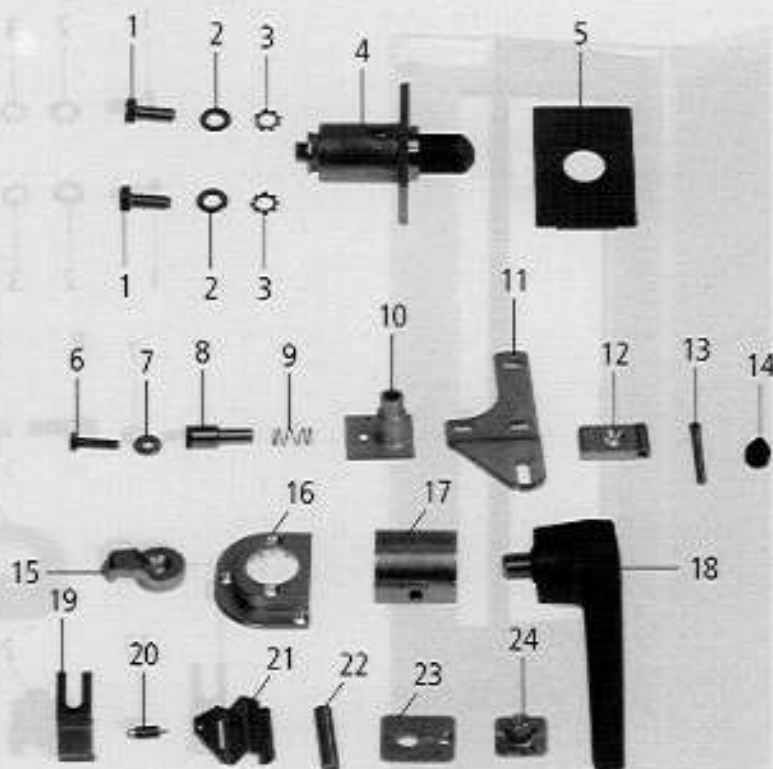
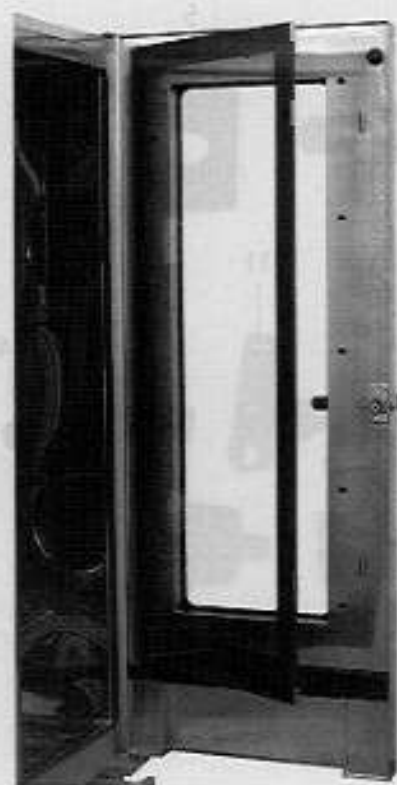
Pos.	St.	Ersatzteil Nr.	Bezeichnung	Description	Bez. Sign.
Pos.	Pcs.	Spare part no.			
1	3	3024.0310	Signallampe rot	Control lamp red	H2,4,5
2	1	3024.0309	Signallampe grün	Control lamp green	H3
3	3	3013.0344	Knebel blau	Dial blue	
4	3	5110.1027	Distanzscheibe	Distance plate	
5	1	3016.1613	Betriebsartenschalter	Mode switch block	S1
6	1	3016.1415	Türkontaktschalter	Door contact switch	
-	2	1103.0600	Spreizmutter 2mm	Expansion nut 2mm for self-tapping screw	
-	2	1304.0150	Unterlegscheibe A3,2	Washer A3,2	
-	2	1003.2160	Sechskant Blechschraube A2,9x9,5	Hex self-tapping screw A2,9x9x5	
7	1	3014.0166	Thermostat Heißluft/ Gerät zu heiß	Thermostat hot air/ unit too hot	P1
8	1	3013.0104	Zeitschaltuhr 120min. 50Hz	Timer 120 min. 50Hz	S2
9	1	3006.0101	Alarmsummer	Alarm buzzer	T2
10	1	5214.1300	Luftfilter Bedienblende	Air inlet filter control panel	
11	1	5012.0565	O-Ring d 115x2,5mm	O-ring d 115x2,5mm	
12	1	2039.0337	Filterträger Bedienblende	Filter support control panel	
13	1	2039.0338	Gleitschutz Handbrausenschlauch	Corner guard handshower hose	
-	1	5100.1011	Dichtung für Blendeneinsatz	Gasket frame for panel	

**Gerätetür / Door**

Spannung / Voltage: **3 N AC 400V 50Hz**

Baugruppe / Group: **8** Ausgabe / Edition: **8.1.1**

Gültig ab Seriennummer / Applicable from serial. no.: **E21DA97061001**

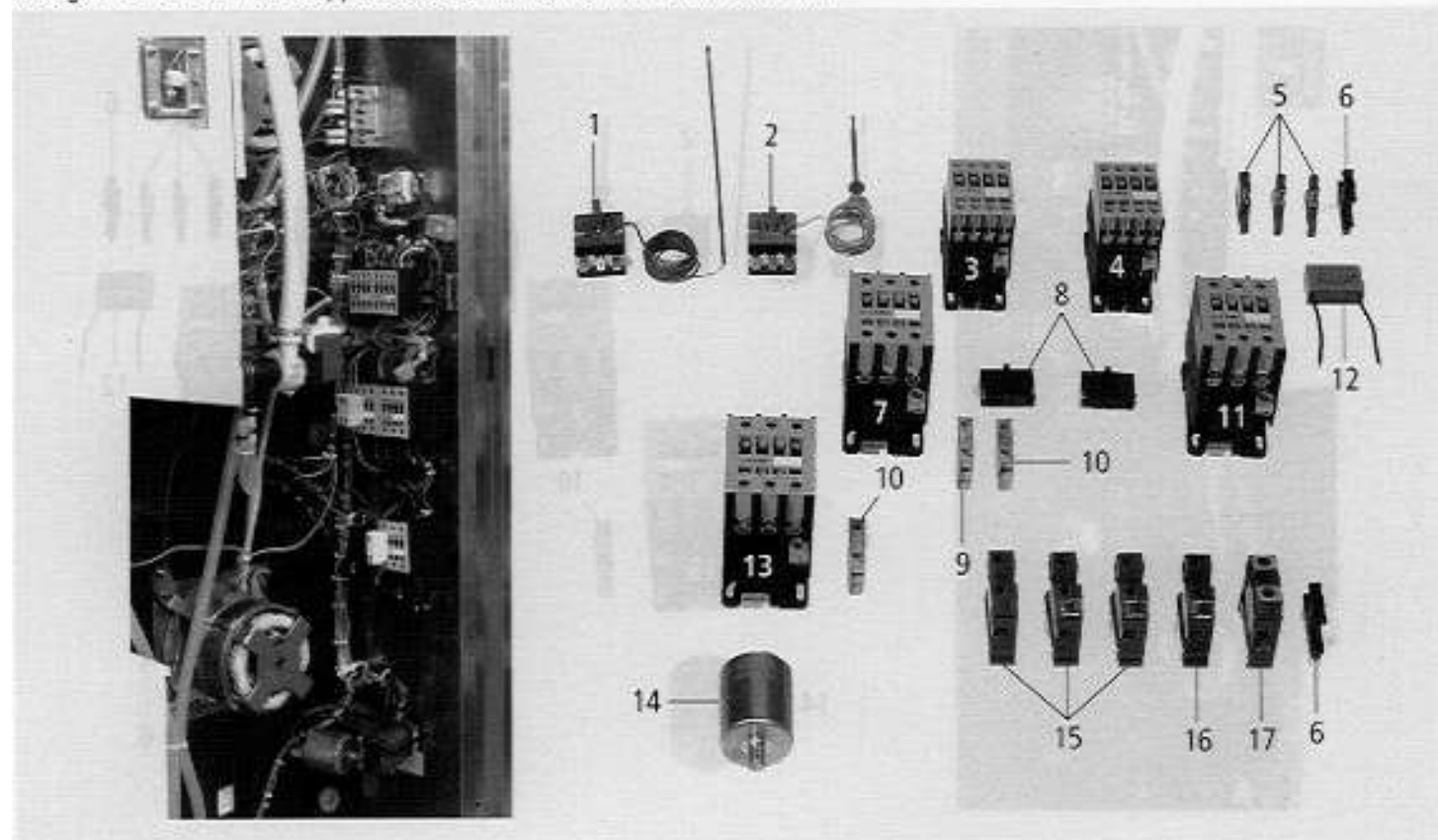


Pos.	St.	Ersatzteil Nr.	Bezeichnung	Description	Bez. Sign.
Pos.	Pcs.	Spare part no.			
-	1	8470.5100	Türe kpl.	Door cpl.	
-	1	8474.1318	Innenglasscheibe kpl.	Internal glass cpl.	
-	1	5105.1023	Garraumdichtung	Door gasket	
-	1	5105.1025	HGW-Dichtung	Gasket for transport trolley	
1	2	1008.0760	Sechskantschraube M8x16	Hexagonal screw M8x16	
2	2	1308.0160	Unterlegscheibe A8,4	Washer A8,4	
3	2	1206.0120	Zahnscheibe d 6,4mm	Toothed disc d 6.4 mm	
4	1	8514.1307	Fangkloben	Door catch	
5	1	8455.1300	Schließklobenabdeckung	Door bolt cover	
6	1	1006.0761	Sechskantschraube M 6x12	Hexagonal screw M 6x12	
7	1	1306.0120	Unterlegscheibe A6,4	Washer A6.4	
8	1	2120.1254	Achszapfen Tür oben	Door bolt top	
9	1	2001.0118	Druckfeder oberer Türhaltebolzen	Compression spring upper door bolt	
10	1	2940.1300	Achshülse Tür oben	Sleeve for door bolt top	
11	1	2930.1307	Türhalteplatte oben	Door mounting supprot top	
12	2	2940.1309	Scharnier für Innenscheibe	Hinge for inner glass	
-	2	1005.1960	Senkschraube mit Innensechskant M5x16	Hex socket countersunk head screw M5x16	
13	3	2120.1258	Rändelbolzen für Türhaltescharnier	Knurled bolt for inner door hinge	
14	2	2039.0402	Puffer für Türe	Door buffer	
15	1	2940.1305	Türriegel	Door bolt	
-	1	1008.1960	Senkschraube m. Innensechskant M 8x30	Countersunk-head screw with hexagonal socket M8x30	
16	1	2940.1306	Abdeckung Türverschluss	Cover door lock	
17	1	8474.1305	Verschluss Tür	Door lock	
18	1	2016.1507	Türgriff Rational	Door handle	
19	1	2760.1396	Federhalter für Arretierung Innenglasscheibe	Spring support	
20	1	2002.0106	Zugfeder für Arretierung Innenglasscheibe	Tension spring for inner window	
21	1	2760.1395	Arretierung Innenglasscheibe	Holding bracket for interior glass	
22	1	3016.1409	Magnet rund Tischgeräte	Magnet round table models	
23	1	2940.1302	Rasthülse	Door setting bolt	
-	1	1008.0766	Sechskantschraube M8x30	Hexagonal screw M8x30	
24	1	2940.1303	Rastzapfen 110°	Stop bolt 110°	
-	1	1005.1960	Senkschraube mit Innensechskant M5x16	Hex socket countersunk head screw M5x16	

**Elektromontageplatte / Electrical Installation**

 Spannung / Voltage: **3 N AC 400V 50Hz**

 Baugruppe / Group: **3** Ausgabe / Edition: **3.1.1**

 Gültig ab Seriennummer / Applicable from serial. no.: **E21DA97061001**


Pos.	St.	Ersatzteil Nr.	Bezeichnung	Description	Bez. Sign.
Pos.	Pcs.	Spare part no.			
1	1	3014.0312	Thermostat Ablöschung	Thermostat for quenching	P4
2	1	3014.0166	Thermostat Heißluft/ Gerät zu heiß	Thermostat hot air/ unit too hot	P2
3	1	3028.0550	Schütz AEG LS 4K01	Contacteur AEG LS 4K01	K1
4	1	3028.0550	Schütz AEG LS 4K01	Contacteur AEG LS 4K01	K1.1
5	1	4001.1216	Reihenklemme 4mm² grau	Terminal 4mm² grey	
6	1	4001.1203	Endklammer für Tragschiene	End plate for supporting rail	
7	1	3028.0554	Schütz AEG LS 15K00	Contacteur AEG LS 15K00	K3
8	3	3028.0562	RC-Glied für LS4K - LS30K	RC-link for LS4K - LS30K	C2
9	1	3028.0560	Hilfskontaktschalter HS07K10 N/C	Auxiliary contact switch HS07K10 N/C	
10	2	3028.0561	Hilfskontaktschalter HS07K01 N/O	Auxiliary contact switch HS07K01 N/O	
11	1	3028.0554	Schütz AEG LS 15K00	Contacteur AEG LS 15K00	K4
12	1	3102.1000	Wechselspannungskondensator 1,5 µF,250V	Capacitor 1,5 µF,250V AC	C1
13	1	3028.0554	Schütz AEG LS 15K00	Contacteur AEG LS 15K00	K1
14	1	3001.0454	Entstörfilter	Electronic noise filter	Z1
15	3	4001.1206	Reihenklemme 35mm² grau	Terminal 35mm² grey	
16	1	4001.1252	Reihenklemme 35mm² blau	Terminal 35mm² blue	
17	1	4001.1233	Erdungsreihenklemme 35mm² gelb/grün	Earth terminal 35mm² yellow/green	

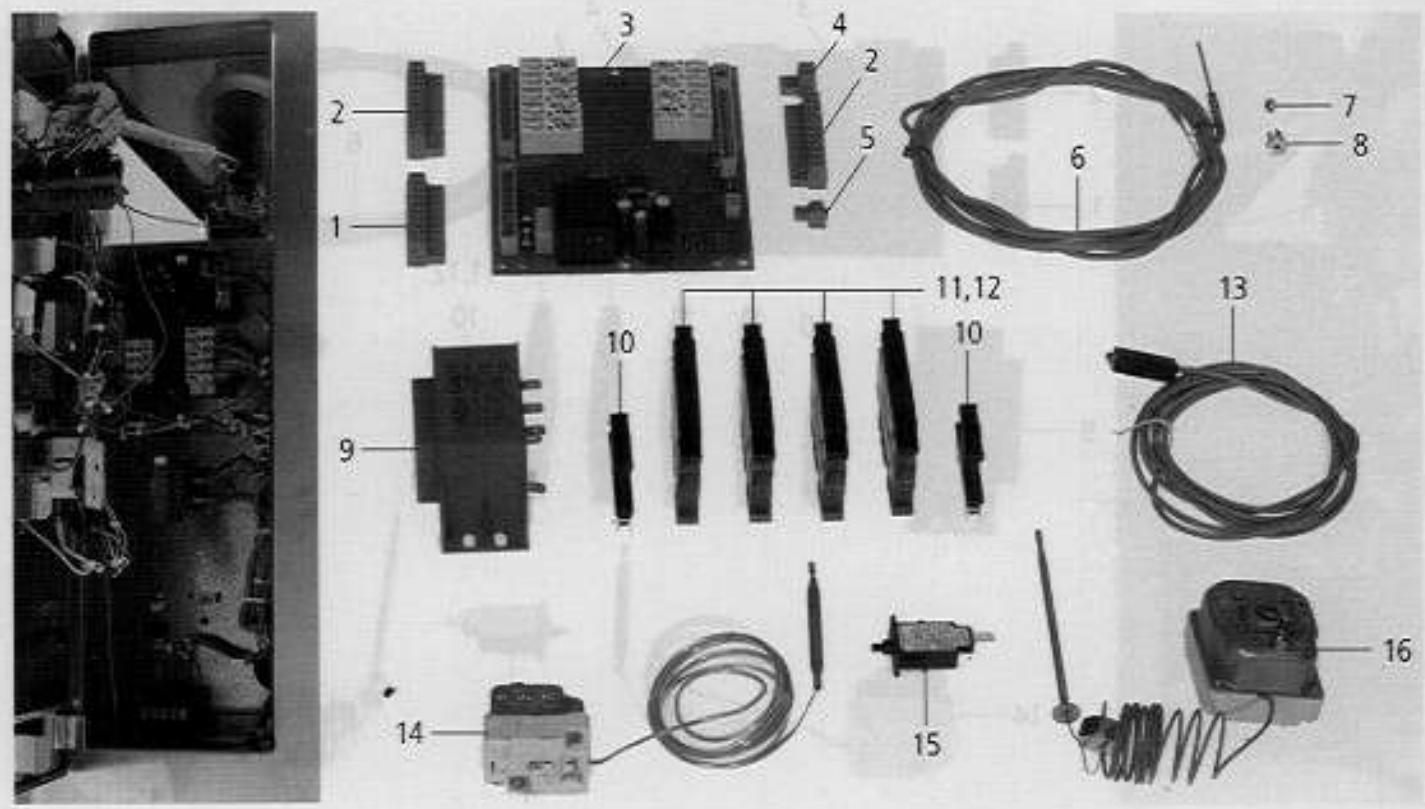


**Elektromontageplatte / Electrical Installation**

Spannung / Voltage: **3 N AC 400V 50Hz**

Baugruppe / Group: **2** Ausgabe / Edition: **2.1.1**

Gültig ab Seriennummer / Applicable from serial. no.: **E21DA97061001**



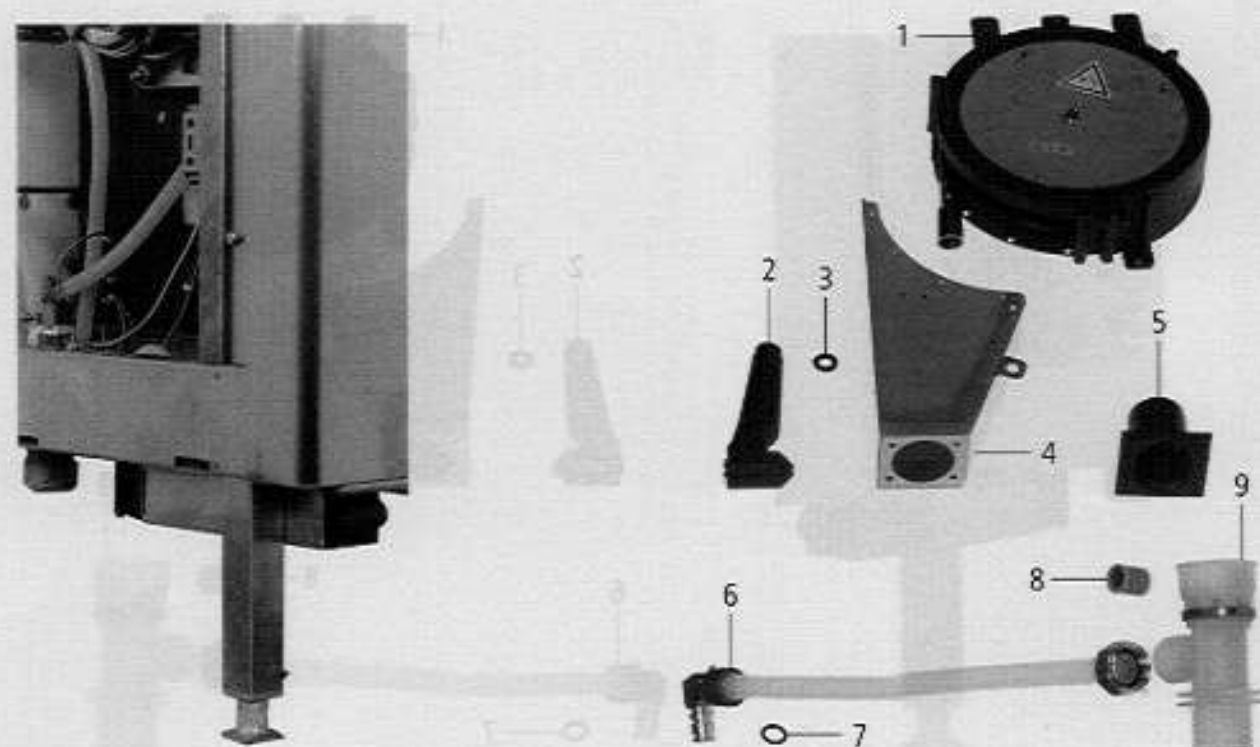
Pos.	St.	Ersatzteil Nr.	Bezeichnung	Description	Bez. Sign.
Pos.	Pcs.	Spare part no.	Description	Description	Sign.
1	1	3040.0197	Steckerleiste BL 10	Multipoint connector BL 10	
2	2	3040.0198	Steckerleiste BL 11	Multipoint connector BL 11	
3	1	3040.3100	Steuerelektronik	Control PCB	A1
4	1	3040.0260	Steckerleiste 2polig, 5.08	Multipoint connector 2polig,5.08	
5	1	3040.0259	Steckerleiste 2polig 3.81	Multipoint connector 2polig,3.81	
6	1	3014.0161	Mantelthermoelement kurz	Sheath thermo element short	B1
7	1	3014.0162	Dichtkegel für Thermoelement	Sealing cone for thermo element	
8	1	3014.0163	Stopfbuchsnippel für Thermoelement	Gasket sleeve with nipple	
9	1	3037.0204	Halogentrafo 20 VA	Halogen transformer 20 VA	T1
10	2	4001.1203	Endklammer für Tragschiene	End plate for supporting rail	
11	4	4001.1283	Sicherungsklemme 6x32 4 qmm	Fuse holder terminal block 4qmm,6x32mm	F1,F6
12	4	4001.0224	Sicherung 6.35x32mm, 6.3A träge	Fuse 6.35x32mm, 6.3A slow	F1,F6
13	1	3016.1415	Türkontaktschalter	Door contact switch	S3
14	1	3014.0300	Trockengehschutz 135°C	Dry up protector 135°C	F5
15	1	3014.0402	Überstromauslöser einpolig f. Motorschutz	Current limiter for motor protection	F2
16	1	3014.0326	Sicherheitstemperaturbegrenzer 360°C	Safety temperature limiter 360°C	F4

Handbrause (Option) / Hand shower (option)

Spannung / Voltage: 3 N AC 400V 50Hz

Baugruppe / Group: 11 Ausgabe / Edition: 11.1.1

Gültig ab Seriennummer / Applicable from serial. no.: E21DA97061001



Pos.	St.	Ersatzteil Nr.	Bezeichnung	Description	Bez.
Pos.	Pcs.	Spare part no.			Sign.
1	1	8655.2020	Schlauchroller	Handshower roll guide	
2	1	2060.1000	Handbrause	Hand shower	
3	1	5012.0539	Dichtung für Verschraubung G 1/2"	Gasket for G1/2" threaded joint	
4	1	8655.2022	Schlauchführung für Handbrause	Hose guide for handshower	
5	1	2060.1211	Tulpe für Handbrause	Tulip for handshower	
-	4	1107.0103	Schnellbefestiger d3mm	Quick fastener d3mm	
6	2	2062.0329	Anschlußrohr Schlauchroller	Connecting pipe hand shower	
7	1	2060.0228	O-Ring für Brauseschlauch	O-ring for shower hose	
8	1	2069.0105	Rückschlagventil DN8	Non return valve DN8	
9	1	8464.1300	T-Stück Wasseranschluss Handbrause	T-water connection handshower	

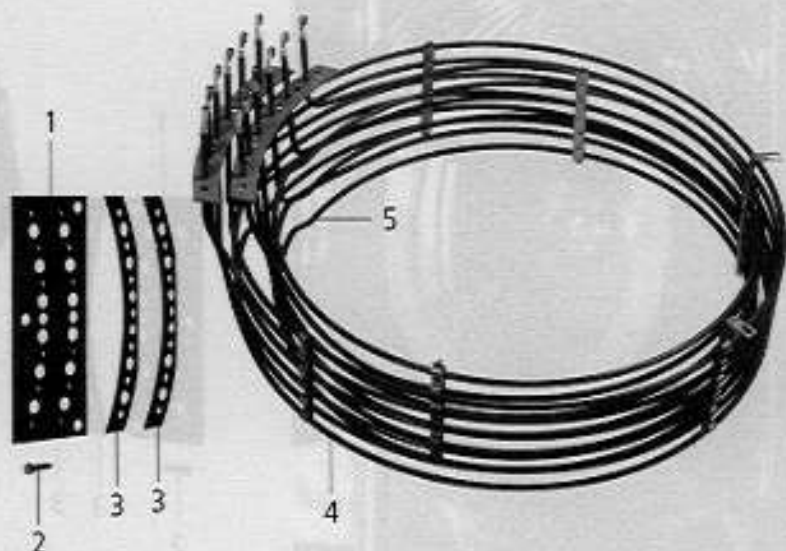
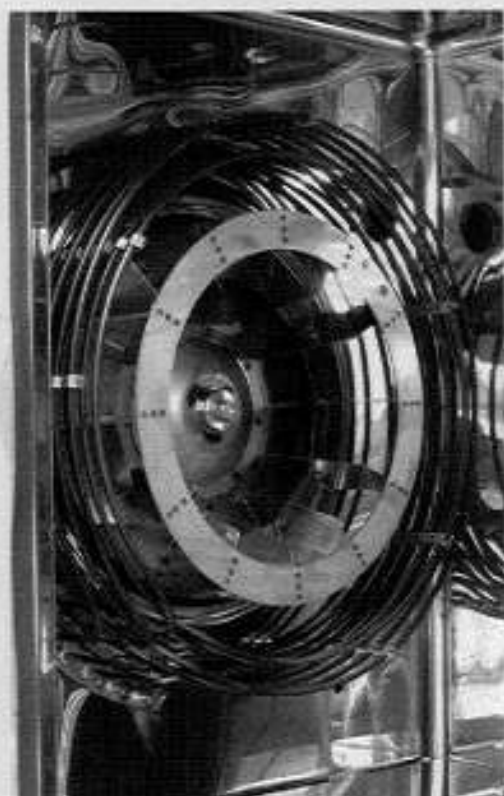


**Heißluftheizung / Hot air heating**

Spannung / Voltage: **3 N AC 400V 50Hz**

Baugruppe / Group: **5** Ausgabe / Edition: **5.1.1**

Gültig ab Seriennummer / Applicable from serial. no.: **E21DA97061001**



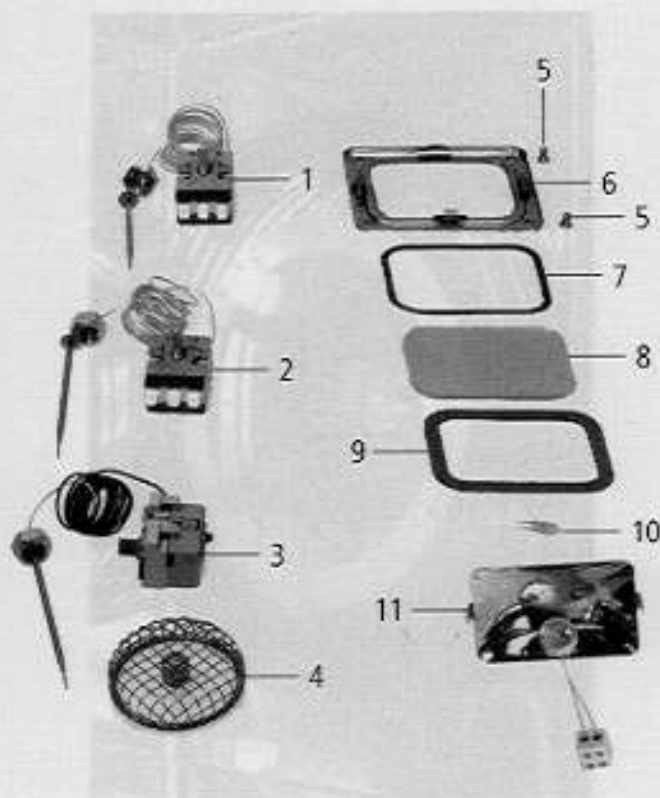
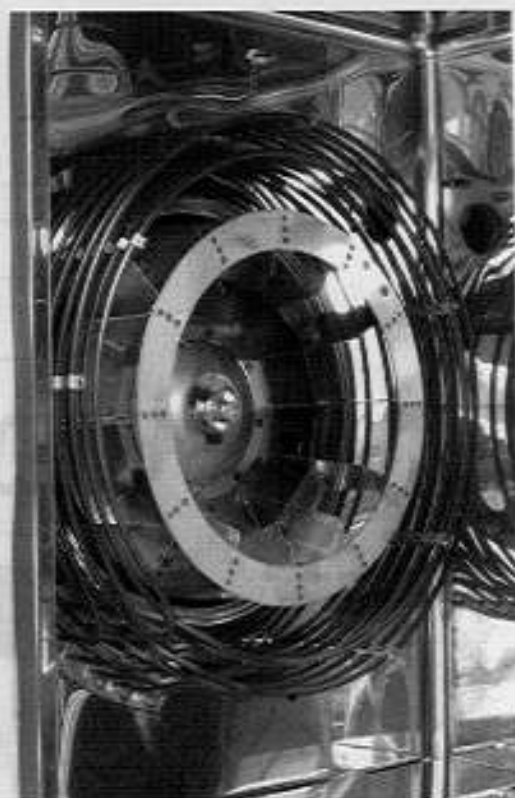
Pos.	St.	Ersatzteil Nr.	Bezeichnung	Description	Bez.
Pos.	Pcs.	Spare part no.	Description	Description	Sign.
1	24	1006.0766	Sechskantschraube M 6x25, HL Register	Hex screw M6x25, hot air heater	
-	28	1306.0222	Unterlegscheibe A6,4	Washer A6.4	
2	2	2150.1251	Doppelflansch Aussenseite	External double flange for hot air heater	
3	4	5110.1009	Dichtring f. Heizregister	Seal ring for heating assembly	
4	2	3200.1001	Heizregister außen 230V	Outer heating assembly 230V	
5	2	3200.1000	Heizregister innen 230V	Inner heating assembly 230V	
-	4	1106.0360	Hutmutter M6 hohe Form	Cap nut M6, high shape	

**Garraum / Interior cabinet**

Spannung / Voltage: **3 N AC 400V 50Hz**

Baugruppe / Group: **7** Ausgabe / Edition: **7.1.1**

Gültig ab Seriennummer / Applicable from serial. no.: **E21DA97061001**

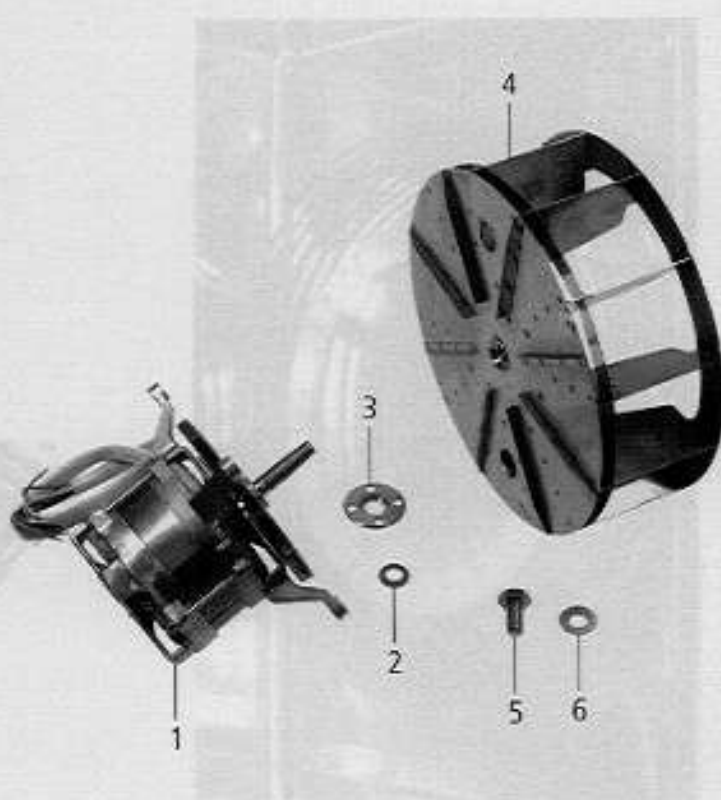
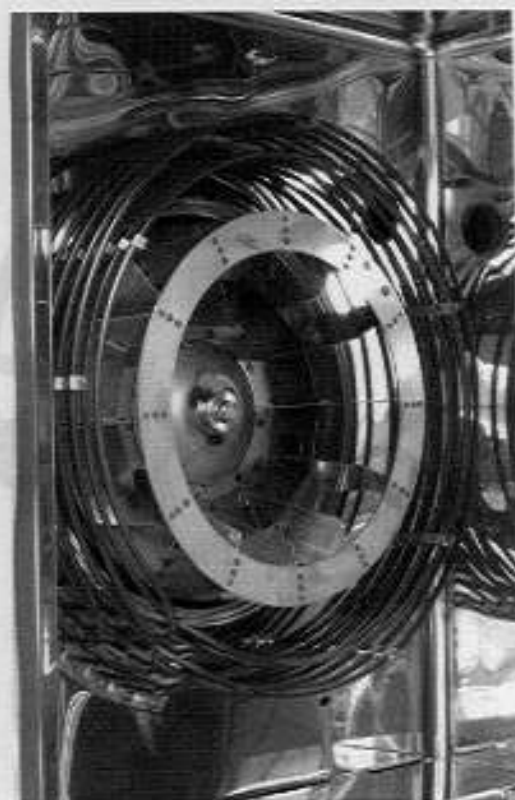


Pos.	St.	Ersatzteil Nr.	Bezeichnung	Description	Bez.
Pos.	Pcs.	Spare part no.			Sign.
-	1	8516.1303	Luftleitblech	Air baffle	
1	1	3014.0166	Thermostat Heißluft/ Gerät zu heiß	Thermostat hot air/ unit too hot	P1
2	1	3014.0166	Thermostat Heißluft/ Gerät zu heiß	Thermostat hot air/ unit too hot	P2
3	1	3014.0326	Sicherheitstemperaturbegrenzer 360°C	Safety temperature limiter 360°C	F4
4	1	2005.0302	Ablaufsieb	Outlet sieve	
5	8	1008.0753	Sechskantschraube M 5x8	Hexagonal screw M5x8	
6	2	8514.1017	Andrückrahmen f. Garraumbeleuchtung	Press down frame for interior lighting	
7	2	5110.1022	Dichtungsrahmen außen	External gasket frame	
8	2	5201.1000	Glas f. Garraumbeleuchtung	Glass for interior lamp	
9	2	5110.1023	Dichtungsrahmen innen	Internal gasket frame	
10	2	3024.0201	Halogengarraumlampe 10 W/12V/300°	Halogen bulb 10 W/12V/300°	H1
11	2	8514.1018	Reflektor kpl. f. Garraumbeleuchtung	Reflector unit for interior lighting	

**Motor und Lüfterrad / Motor and fan wheel**

 Spannung / Voltage: **3 N AC 400V 50Hz**

 Baugruppe / Group: **6** Ausgabe / Edition: **6.1.1**

 Gültig ab Seriennummer / Applicable from serial. no.: **E21DA97061001**


Pos.	St.	Ersatzteil Nr.	Bezeichnung	Description	Bez. Sign.
Pos.	Pcs.	Spare part no.			
1	2	3100.1021	Lüftermotor 4/4pol	Fan motor 4/4pol	M1
-	8	1108.0260	Sechskantmutter M 8	Hexagonal nut M8	
-	8	1208.0260	Federring B8	Spring washer B8	
2	2	5001.0207	Motorwellendichtung	Motor shaft gasket type	
3	2	2016.0876	Dichtungsflansch für Motorwelle	Gasket flange for engine shaft	
-	8	1106.0220	Sechskantmutter M6 flach	Hexagonal nut M6 flat	
-	8	1306.0120	Unterlegscheibe A6,4	Washer A6,4	
4	2	2012.0507	Lüfterrad	Fan wheel	
5	2	1010.0762	Sechskantschraube M 10x20	Hexagonal screw M10x20	
6	2	1328.0102	Sperrkantscheibe A10,2	Safety washer A10,2	

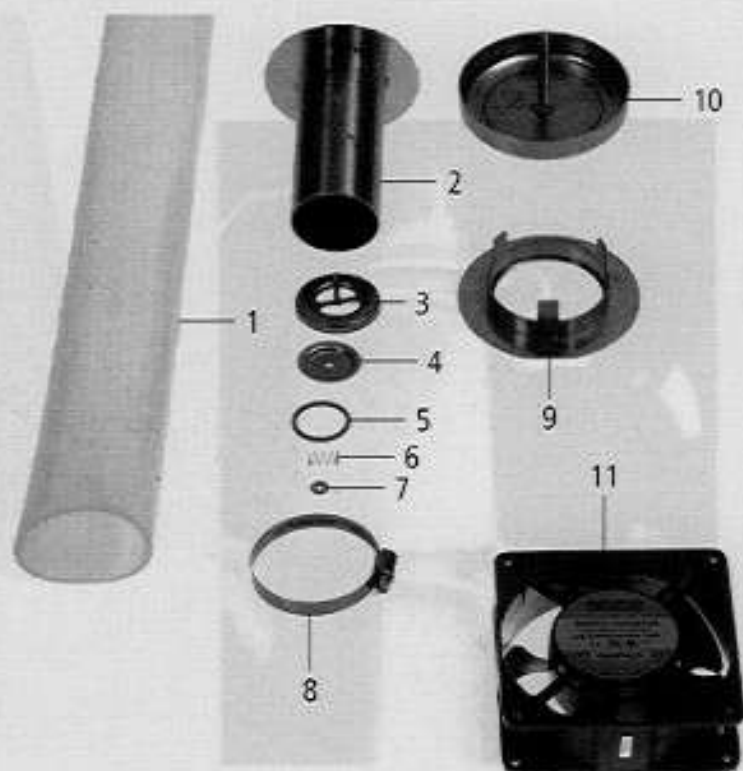
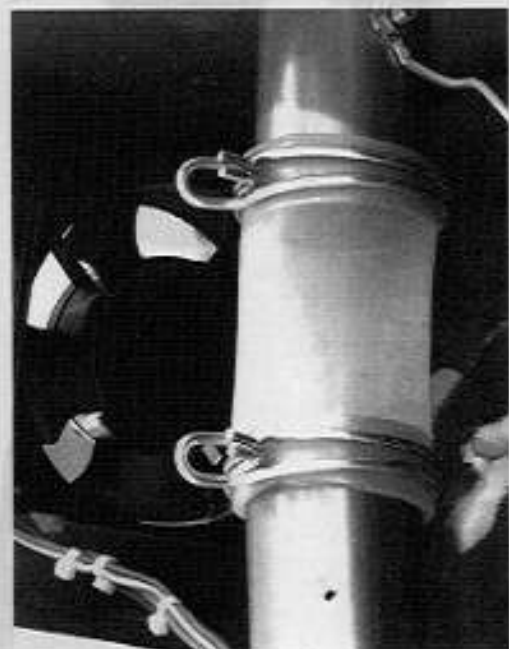


**Sicherheitsventil / Safety valve**

Spannung / Voltage: **3 N AC 400V 50Hz**

Baugruppe / Group: **9** Ausgabe / Edition: **9.1.1**

Gültig ab Seriennummer / Applicable from serial. no.: **E21DA97061001**

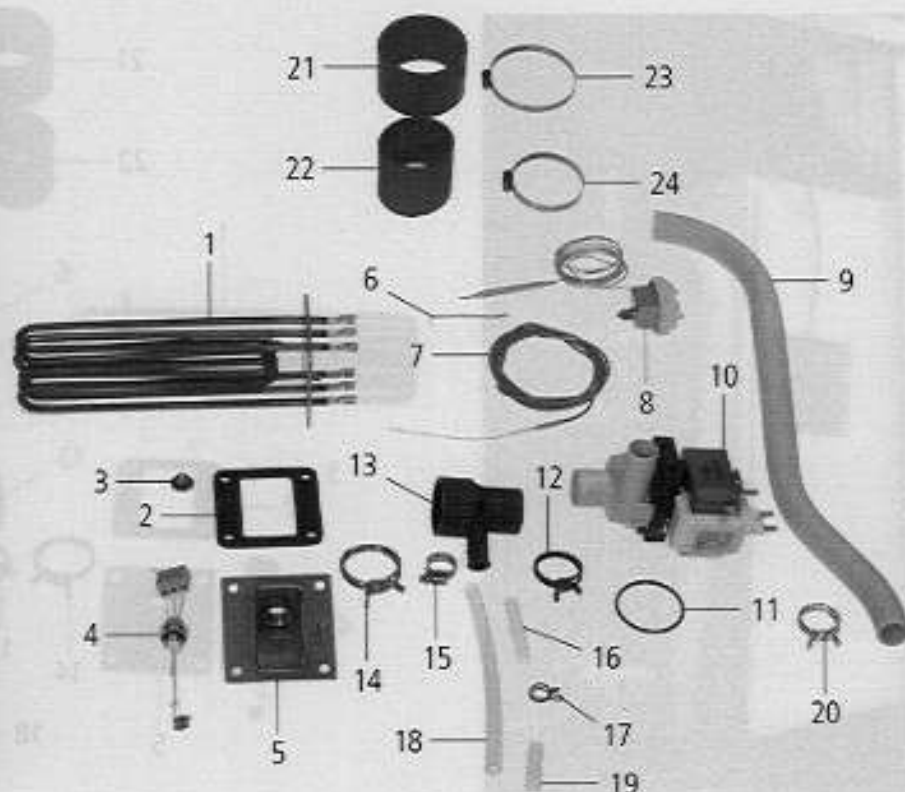
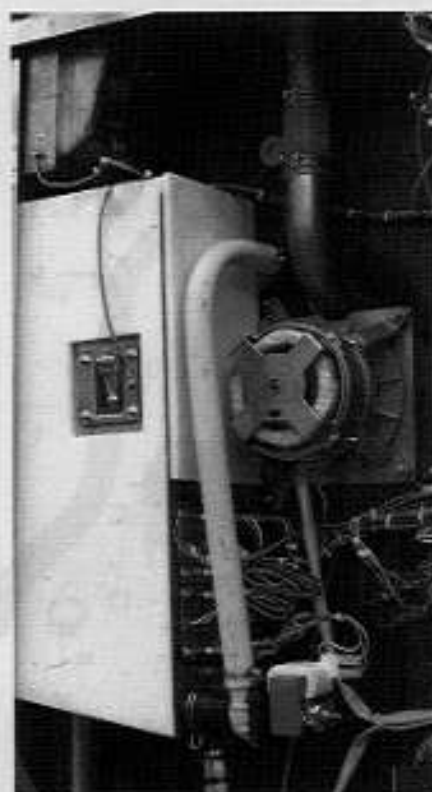


Pos.	St.	Ersatzteil Nr.	Bezeichnung	Description	Bez. Sign.
Pos.	Pcs.	Spare part no.	Description	Description	Sign.
1	1	2112.1301	Silikonschlauch d50x3x100	Silicone hose d50x3x100	
2	1	8450.1305	Rohr für Sicherheitsventil	Mounting pipe for safety valve	
3	1	2064.1302	Teller für Sicherheitsventil	Base for safety valve	
4	1	2064.1304	Deckel für Sicherheitsventil	Cover for safety valve	
5	1	5012.0546	O-Ring d 17,0x2,0mm	O-ring d 17,0x2,0mm	
6	1	2001.0117	Druckfeder für Sicherheitsventil	Compression spring for safety valve	
7	1	1107.0103	Schnellbefestiger d3mm	Quick fastener d3mm	
8	2	2066.0504	Schlauchschelle 40-60mm	Hose clamp 40-60mm	
9	1	2812.1304	Abstandshalter für Glocke	Spacer for vent cover	
10	1	8455.1209	Glocke	Vent cover	
11	1	3101.1008	Kühllüfter	Cooling motor	M3

**Dampfgenerator / Steam generator**

 Spannung / Voltage: **3 N AC 400V 50Hz**

 Baugruppe / Group: **4** Ausgabe / Edition: **4.1.1**

 Gültig ab Seriennummer / Applicable from serial. no.: **E21DA97061001**


Pos.	St.	Ersatzteil Nr.	Bezeichnung	Description	Bez. Sign.
Pos.	Pcs.	Spare part no.			
-	-	2067.0050	Silikonschlauch 1m	Silicone hose 1m	
1	4	3201.1000	Tauchheizkörper 3x3 kw 230V	Heating element 3x3 kw 230V	
2	5	5110.1003	Dichtung f. Tauchheizkörper	Gasket for heating element	
3	20	1106.0803	Sechskant-Combinutter M6 verzinkt	Hex combi nut M6 galv	
4	1	3002.0402	Füllstandselektrode 90mm	Filling level electrode 90mm	S4
5	1	2920.1300	Einsatz Niveauelektrode	Level electrode insert	
6	1	2740.1040	Klemmblech Dampfgenerator	Clamping plate for steam generator	
7	1	3014.0165	Thermoelement Dampfgenerator	Thermo element steam generator	B2
8	1	3014.0300	Trockengeherschütz 135°C	Dry up protector 135°C	F5
9	1	2112.1303	Entleerschlauch	Emptying hose	
10	1	3002.1000	Entleerungspumpe 200-240V 50/60Hz	Emptying pump 200-240V 50/60Hz	M2
11	1	5012.0560	O-Ring Dichtung Entleerungspumpe	O-Ring gasket emptying pump	
12	1	2066.0519	Schlauchklemme 35,6mm	Hose clamp 35,6mm	
13	1	2118.1000	Pumpenanschlußstutzen	Pump connection spout	
14	1	2066.0526	Schlauchklemme 46mm	Hose clamp 46mm	
15	1	2066.0530	Schlauchklemme 16,4mm	Hose clamp 16,4mm	
16	1	2062.0331	Verbindungsteil GS 10	Connecting piece GS 10	
17	1	2066.0527	Schlauchklemme 14mm	Hose clamp 14mm	
18	1	2110.1008	Silikonschlauch DG-Entleerung	Drain hose steam generator	
19	1	2120.1259	Stopfen 10mm Entleerschlauch DG	Stop plug 10mm drain hose	
20	2	2066.0518	Schlauchklemme 30mm	Hose clamp 30mm	
21	1	2112.1307	Dampfschlauch	Steam hose	
22	1	2112.1006	Dampfschlauch 50x7mm	Steam hose 50x7mm	
23	2	2066.0516	Schlauchschele 60-80mm	Hose clamp 60-80mm	
24	2	2066.0300	Schlauchschele 50-70mm	Hose clamp 50-70mm	

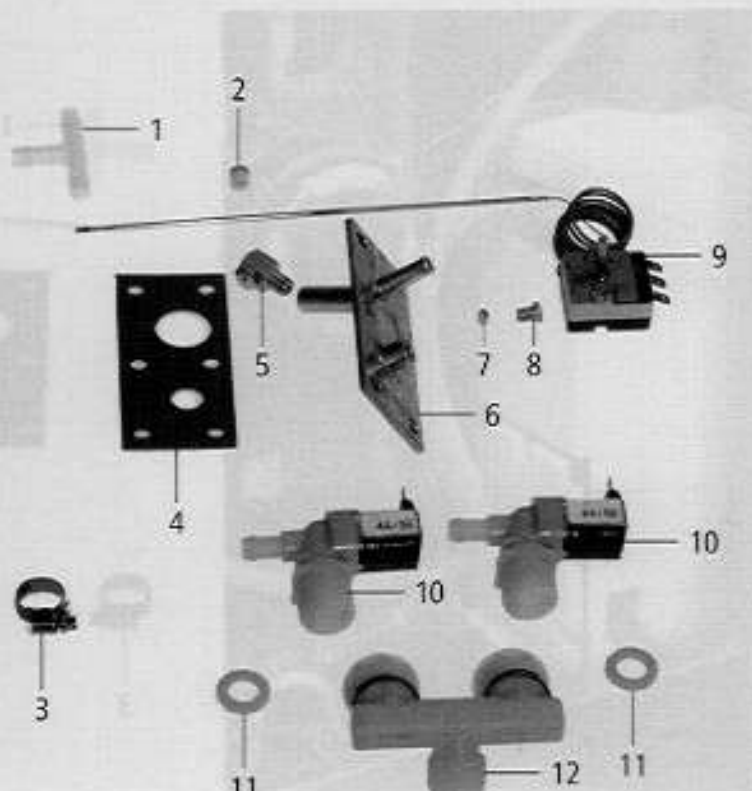
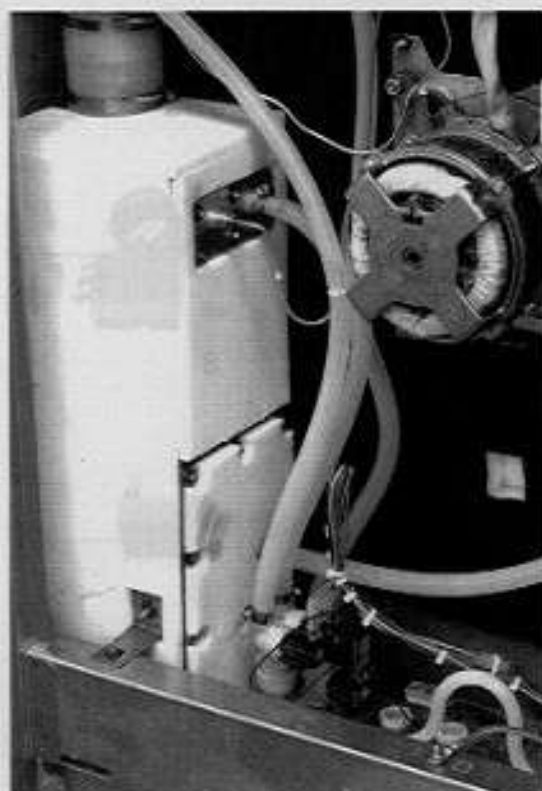


**Wasseranschluß / Water supply**

Spannung / Voltage: **3 N AC 400V 50Hz**

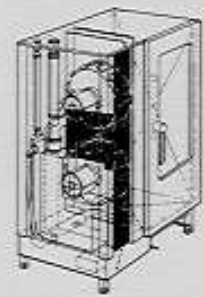
Baugruppe / Group: **10** Ausgabe / Edition: **10.1.1**

Gültig ab Seriennummer / Applicable from serial. no.: **E21DA97061001**



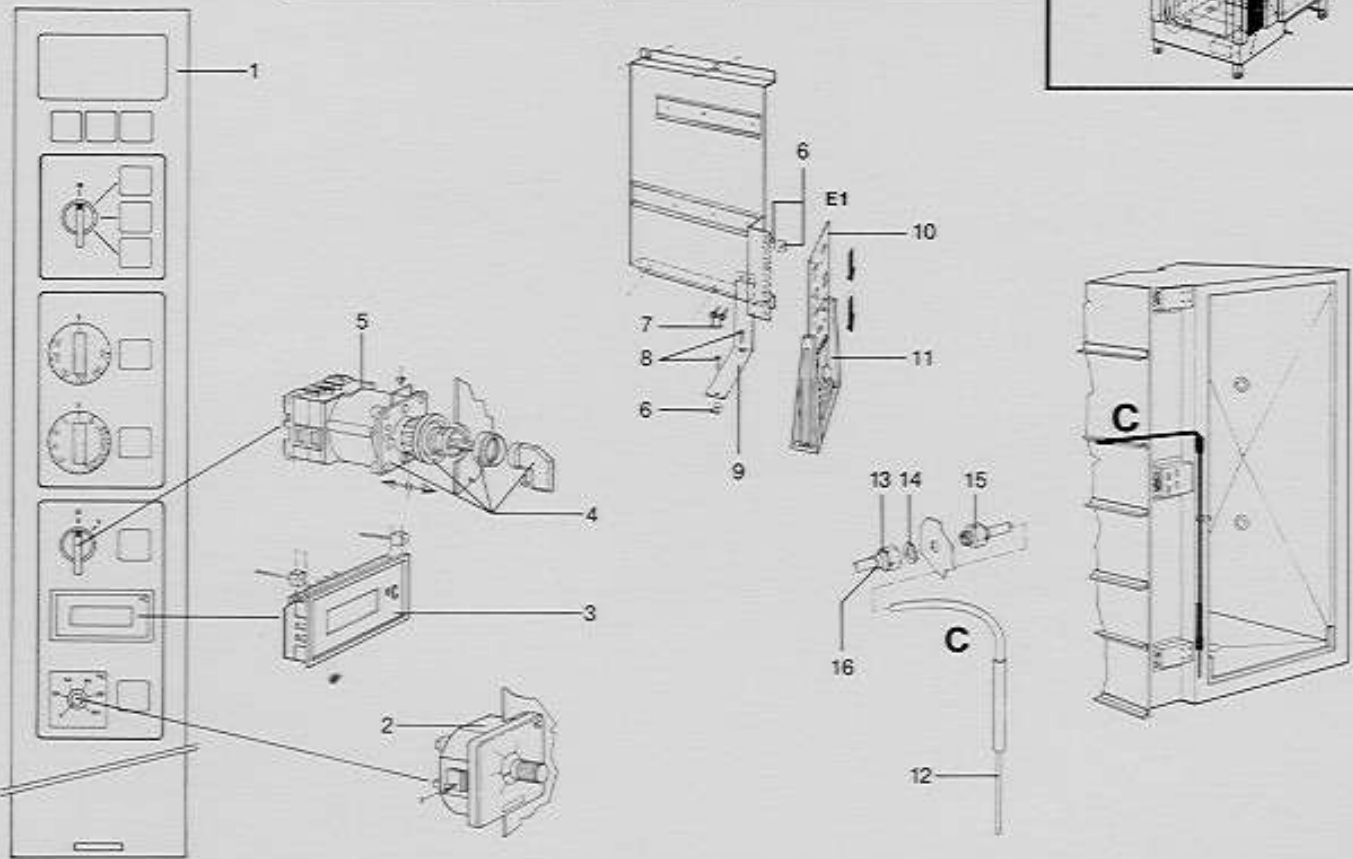
Pos.	St.	Ersatzteil Nr.	Bezeichnung	Description	Bez. Sign.
Pos.	Pcs.	Spare part no.			
-	-	2067.0050	Silikonschlauch 1m	Silicone hose 1m	
-	1	8666.1316	Flansch Ablöschkasten	Flange quenching chamber	
-	1	5110.1303	Dichtung Deckel Ablöschkasten	Gasket cover quenching box	
1	1	2062.0302	T-Stück TS10	T-piece TS 10	
2	1	2069.0107	Rückschlagventil DN6 Belüftung DG	Non return valve DN6 steam generator	
3	3	2066.0205	Schlauchschelle 12-18mm	Hose clamp 12-18mm	
4	1	5110.1302	Dichtung Flansch Ablöschdüse	Gasket flange quenching	
5	1	2016.0943	Ablöschdüse	Quenching nozzle	
6	1	8666.1201	Flansch Ablöschdüse	Flange quenching nozzle	
7	1	5110.1307	Dichtung für Thermostat	Gasket for thermostat	
8	1	3014.0163	Stopfbuchsnippel für Thermoelement	Gasket sleeve with nipple	
9	1	3014.0312	Thermostat Ablöschung	Thermostat for quenching	P4
10	2	3002.0331	Einfachmagnetventil kpl. 220-240V 50Hz	Single solenoid valve unit 220-240V 50Hz	Y1,Y2
11	2	5110.1024	Dichtung für Verschraubung G 3/4"	Gasket for G3/4" threaded joint	
12	1	8664.1301	Brückenfitting 3/4" Wasseranschluß	Water connection fitting 3/4"	



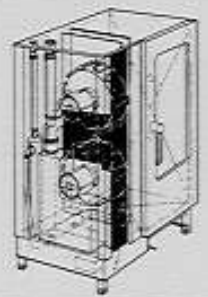


**Core Temperature / Meat Probe**

Component Group	Page	Edition	applicable from Serial No.
<b>3</b>	<b>3.1</b>	<b>3.1.2</b>	<b>20188021063</b>

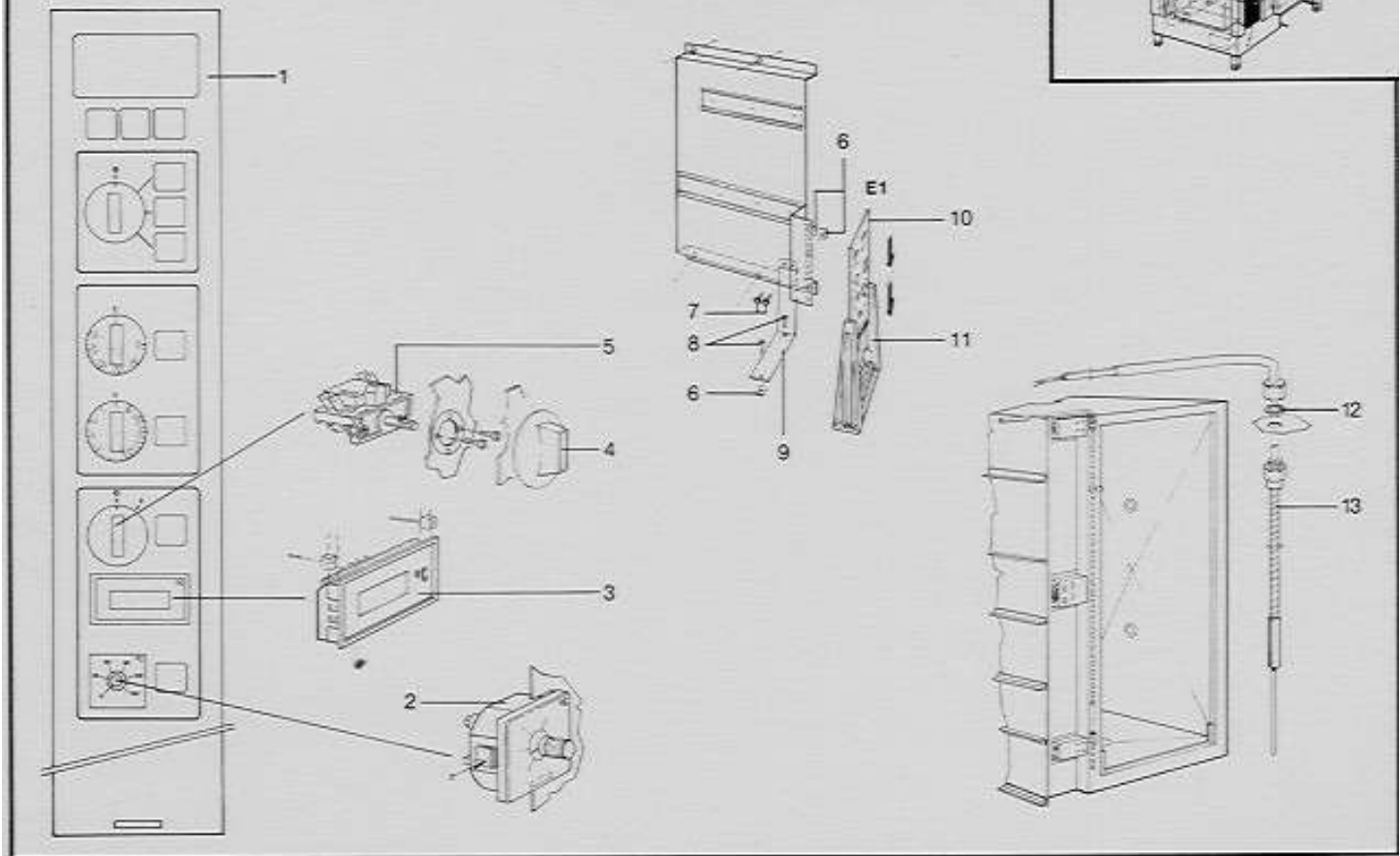


Pos.	Pcs.	Sp. Part No.	Description	Sign
1	1	2049.0525	control panel	
2	1	3035.0600	potentiometer	E3
3	1	3035.0602	liquid crystal display	E2
4	1	3016.1310	core temperature knob assy	
5	1	3016.1500	core temperature switch block	S5
6	4	1104.0820	climp	
7	2	1004.2160	hex head tapping screw B4,2	
8	2	1003.2260	tapping screw B3,9	
9	1	2580.780390	bracket for PCB holder	
10	1	3035.0601	PC-board	
11	1	3035.0603	PCB-holder	
12	1	3035.0608	meat probe sensor	E4
13	1	3014.0306	hex nut for stuffing box	
14	1	3035.0606	copper washer	
15	1	3014.0307	stuffing box	
16	1	2066.0508	hose clamp	

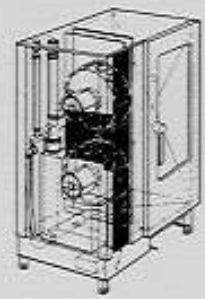


**Core Temperature / Meat Probe**

Component Group	Page	Edition	applicable from Serial No.
<b>3</b>	<b>3.1</b>	<b>3.1.3</b>	<b>201 89 04 1125</b>

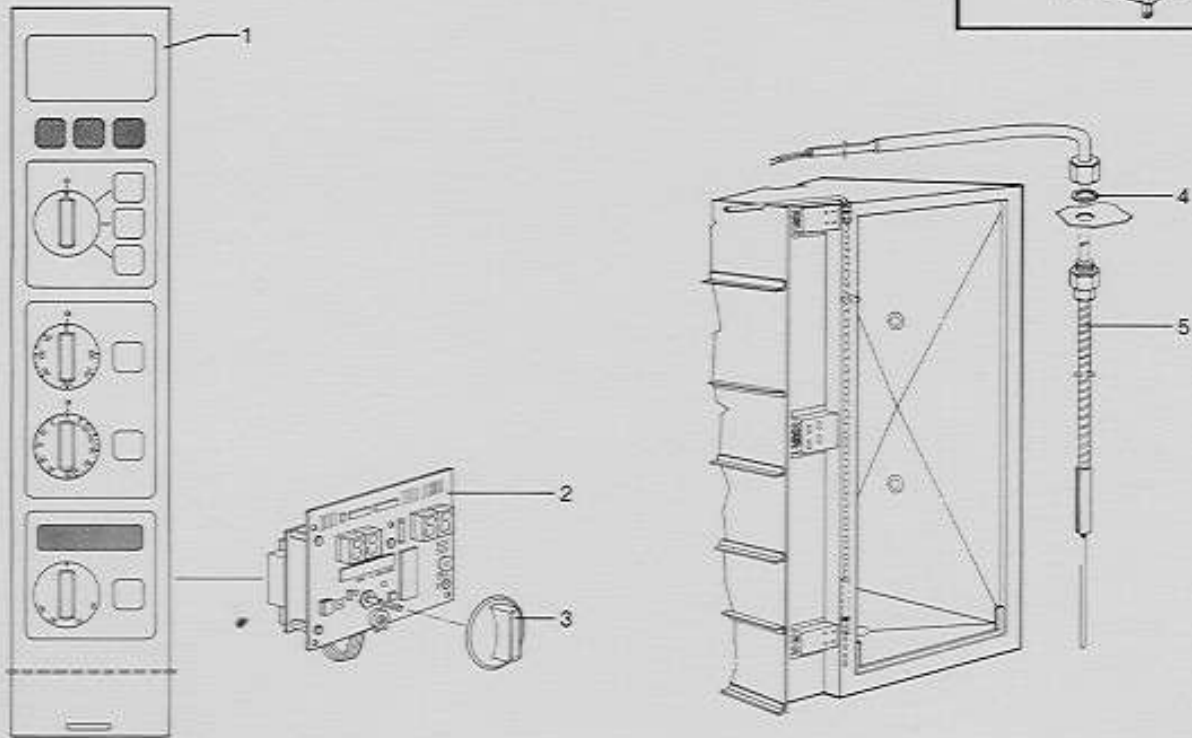


Pos.	Pcs.	Sp. Part No.	Description	Sign
1	1	2049.0674	control panel with core temperature	
2	1	3035.0600	potentiometer	E3
3	1	3035.0602	liquid crystal display	E2
4	1	3013.0113	dial for core temperature	
5	1	3016.1620	core temperature switch	S5
6	4	1104.0820	climp	
7	2	1004.2160	hex head tapping screw B4,2	
8	2	1003.2260	tapping screw B3,9	
9	1	2580.780390	bracket for PCB holder	
10	1	3035.0601	PC board for core temperature	
11	1	3035.0603	PCB holder	
12	1	3035.0606	copper washer	
13	1	3035.0608	meat probe sensor	E4



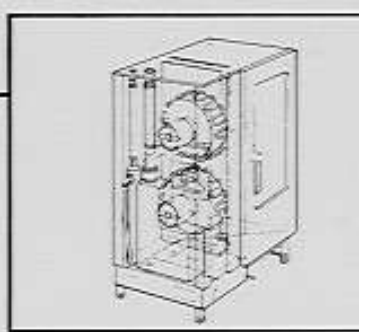
**Core Temperature / Meat Probe**

Component Group	Page	Edition	applicable from Serial No.
<b>3</b>	<b>3.1</b>	<b>3.1.4</b>	<b>20189104001</b>



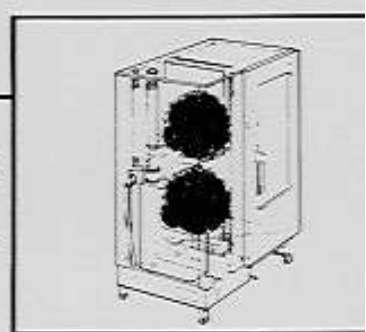
Pos.	Pcs.	Sp. Part No.	Description	Sign
1	1	2049.0752	control panel with core temperature	
2	1	3035.0630	meat probe controller	A2
3	1	3013.0114	dial for meat probe controller	
4	1	3035.0606	copper washer	
5	1	3035.0608	meat probe sensor	E1
-	1	3040.0173	multipoint connector 6 pin	
-	1	3040.0172	multipoint connector 2 pin	





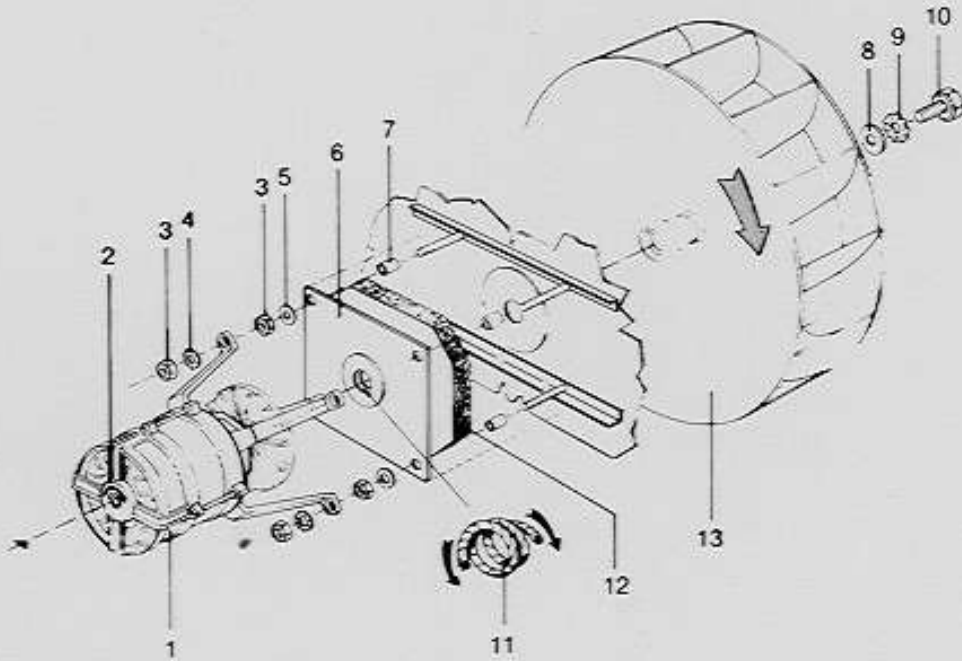
### Miscellaneous

Pos.	Pcs.	Sp. Part No.	Description	Sign
1	1	8801.0985	interior wiring (wiring harness)	
2	100	4002.0100	cable shoes 2,5 x 6,3	
3	100m	8801.1000	silicone wire, coloured 1,5 mm <sup>2</sup> , (indicate colour)	
4	10m	4015.0202	fibre glass, black 1,5 mm <sup>2</sup>	
5	10m	4015.0201	fibre glass, blue 1,5 mm <sup>2</sup>	
6		9009.1000	high heat paste (tube)	
7		5006.0200	silicone (tube)	
8	2	2005.0401	castor without brake for transport trolley	
9	2	2005.0402	castor with brake for transport trolley	
10	1	8400.3011	handle for roll-in trolley	
11		1603.0164	pop rivet 3,2 x 10	
12		1004.2160	hex head tapping screw B 4,2 complete with washer V 2 A	
13		1104.0821	climp V 2 A	
14		2001.0040	loctite, heat resistant 10 ml	
15		9006.0850	stainless steel cleaner paste	



**Motor and Fan Wheel**

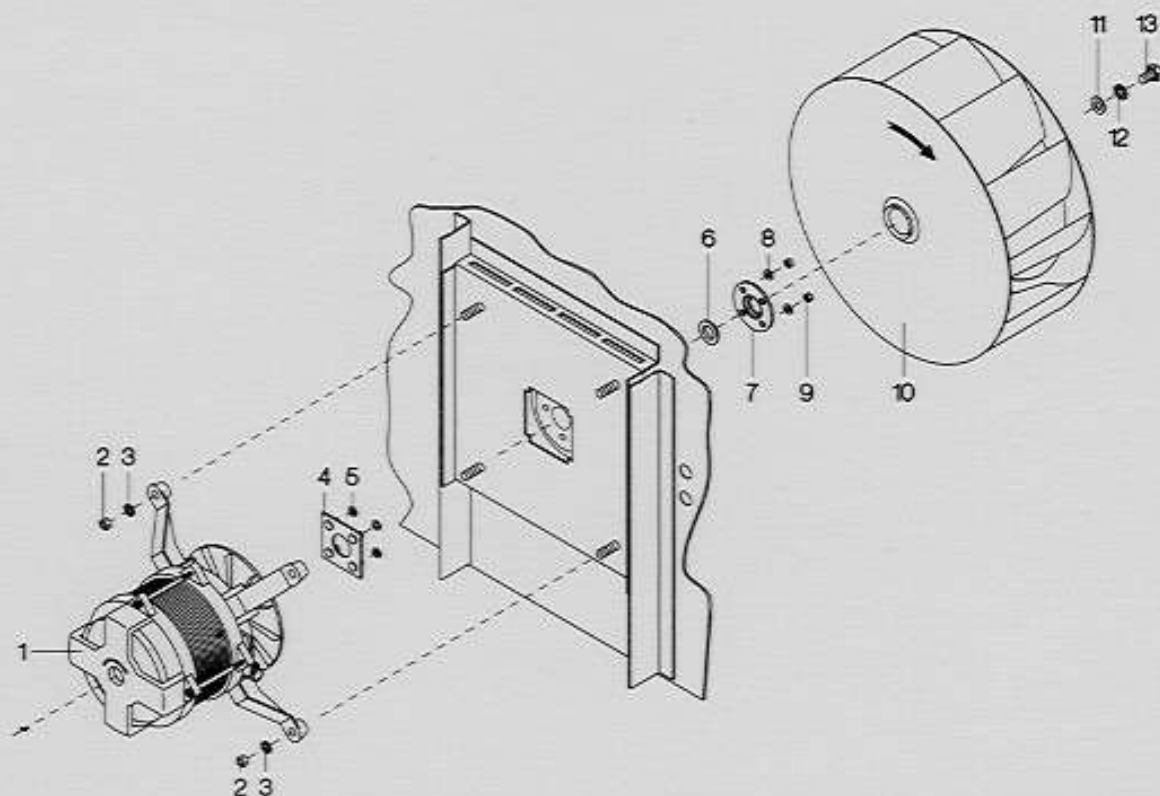
Component Group	Page	Edition	applicable from Serial No.
<b>6</b>	<b>6.1</b>	<b>6.1.1</b>	<b>20186 011001</b>



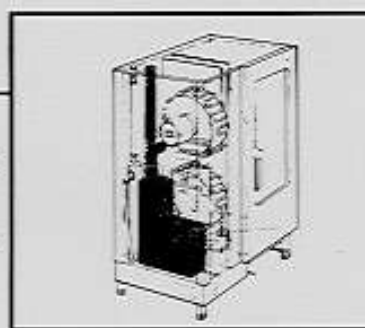
Pos.	Pcs.	Sp. Part No.	Description	Sign
1	2	3001.0400	motor	
2	2	4019.0012	label direction of fan rotation	
3	16	1108.0260	hex nut M8	
4	16	1208.0160	toothed lock washer A 8,4	
5	8	1308.0561	washer $\varnothing$ 9mm	
6	2	8006.8008	motor shaft packing complete	
7	8	2016.0848	spacer	
8	2	1310.0160	washer A 10,5	
9	2	1210.0160	toothed lock washer A 10,5	
10	2	1010.0760	hex screw M 10 x 16	
11	2	5002.0300	rope packing, greased	
12	2	5009.0100	insulation plate 200 x 205 x 20 mm	
13	2	2012.0500	fan wheel complete (with pos. 8 – 10)	

**Motor and Fan Wheel**

Voltage	Group	Page	Edition	Application from Serial. No.
<b>3 N AC 380V 50Hz</b>	<b>6</b>	<b>6.1</b>	<b>6.1.2</b>	<b>20191042001</b>

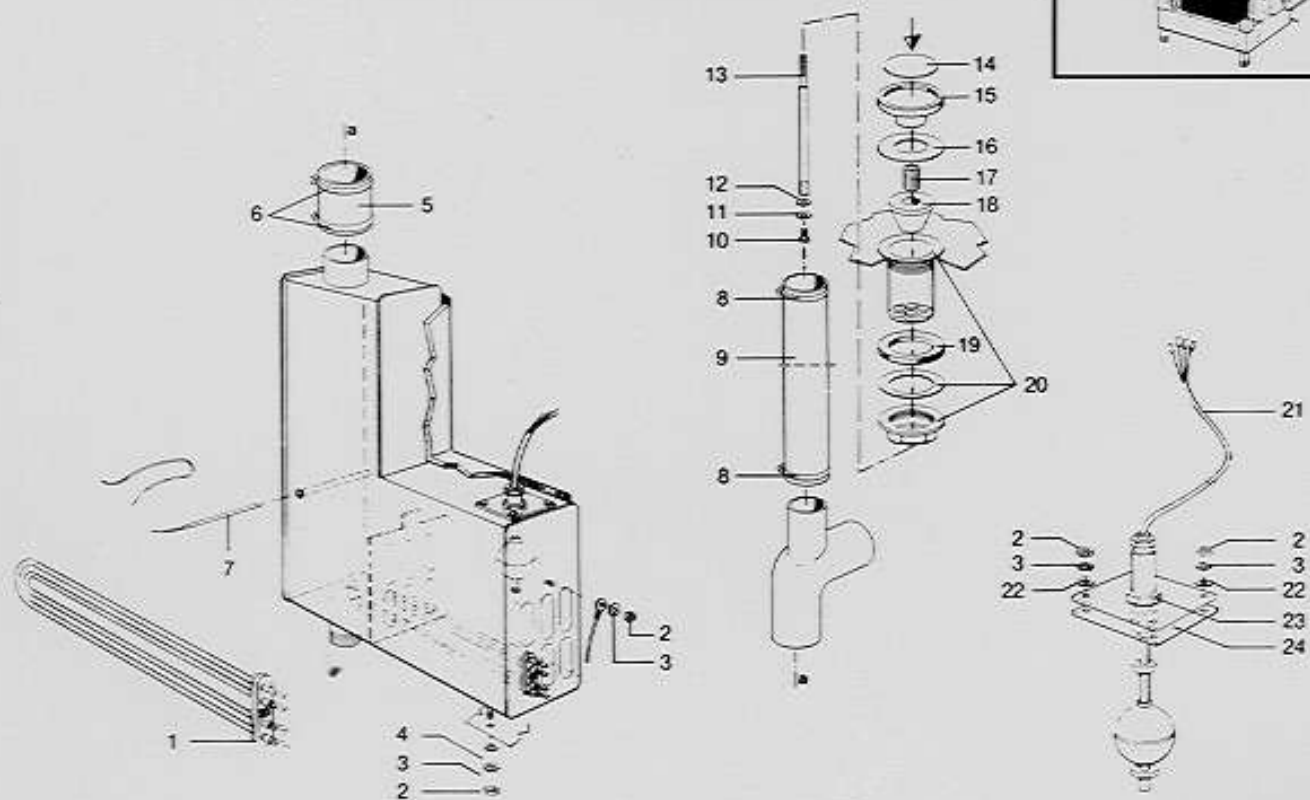


Pos.	Pcs.	Sp. Part No.	Description	Sign.
1	2	3001.0426	motor	M1,M1.1
2	8	1108.0260	hex nut M8	
3	8	1208.0160	toothed lock washer A8,4	
4	2	8506.0104	holding plate for motor shaft gasket	
5	8	1315.0101	copper washer	
6	2	5001.0207	motor gasket	
7	2	2016.0876	gasket flange	
8	8	1306.0120	washer A6,4	
9	8	1106.0220	hex nut M6 flat	
10	2	2012.0500	fan wheel	
11	2	1310.0160	washer A10,5	
12	2	1210.0160	toothed lock washer A10,5	
13	2	1010.0760	hex screw M10x16	

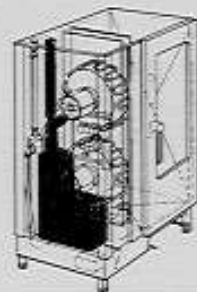


**Steam Generator**

Component Group	Page	Edition	applicable from Serial No.
<b>4</b>	<b>4.1</b>	<b>4.1.1</b>	<b>20186 011001</b>

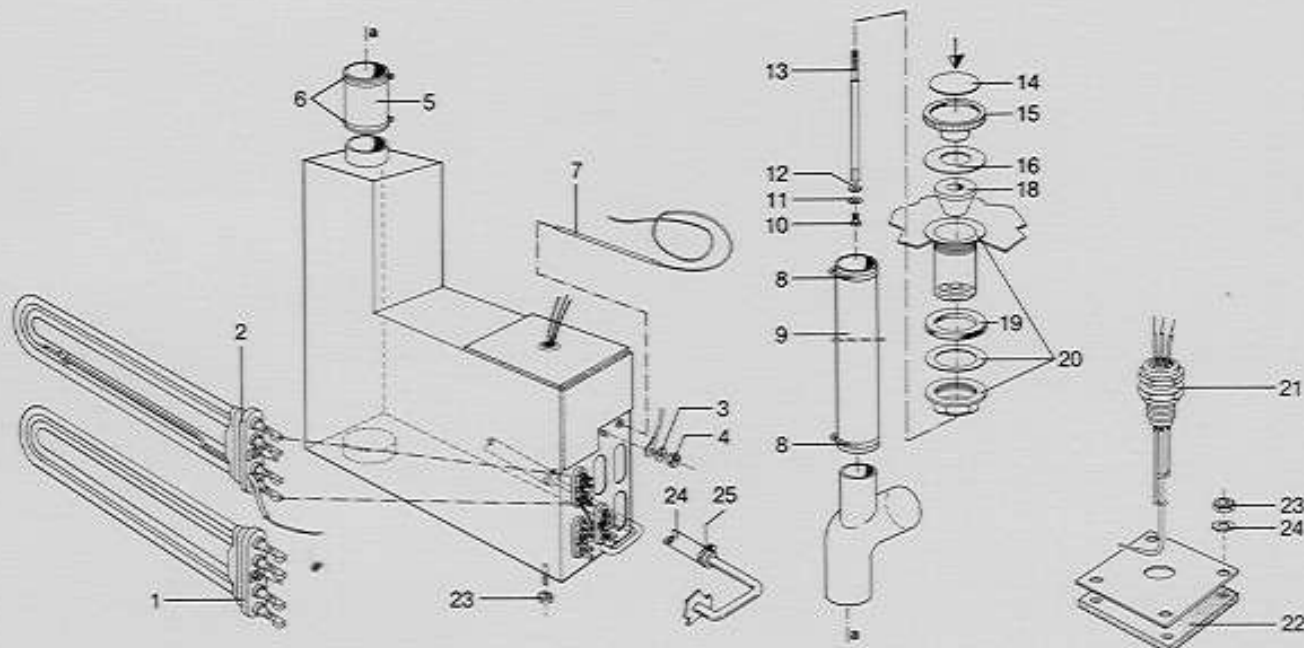


Pos.	Pcs.	Sp.	Part No.	Description	Sign
-	1		8300.0005	steam generator complete	
-	1		8450.0200	safety valve complete (pos. 10 - 20)	
1	7		3004.3505	heating element 2x3 kW	
2	6		1106.0160	hex nut M6	
3	6		1206.0120	toothed lock washer A 6,4	
4	1		1306.0221	washer A 6,4	
5	1		2067.0401	steam hose 95 mm, $\phi$ 60	
6	2		2066.0505	hose clamp 70-90 mm	
7	1		3014.0314	thermostat	P3
8	2		2066.0504	steam generator hose clamp 40-60 mm	
9	1		2067.0205	steam hose 600 mm, $\phi$ 42	
10	1		1005.0660	hex socket head screw M 5x12	
11	1		1205.0360	spring washer	
12	1		1305.0260	washer A 5,3	
13	1		2026.0400	guide bar	
14	1		2049.0800	cover plate aluminium	
15	1		2020.0300	plastic handle for safety valve	
16	1		5012.0526	gasket	
17	1		2026.0300	thread insert	
18	1		2026.0200	cone for safety valve	
19	1		5012.0527	gasket	
20	1		2064.0101	valve body	
21	1		3016.1201	level switch	S4
22	4		1306.0120	washer A 6,4	
23	1		2040.0101	hex nut G 3/8"	
24	1		5012.0528	gasket	



**Steam Generator**

Component Group	Page	Edition	applicable from Serial No.
<b>4</b>	<b>4.1</b>	<b>4.1.2</b>	<b>201 89 10 4001</b>

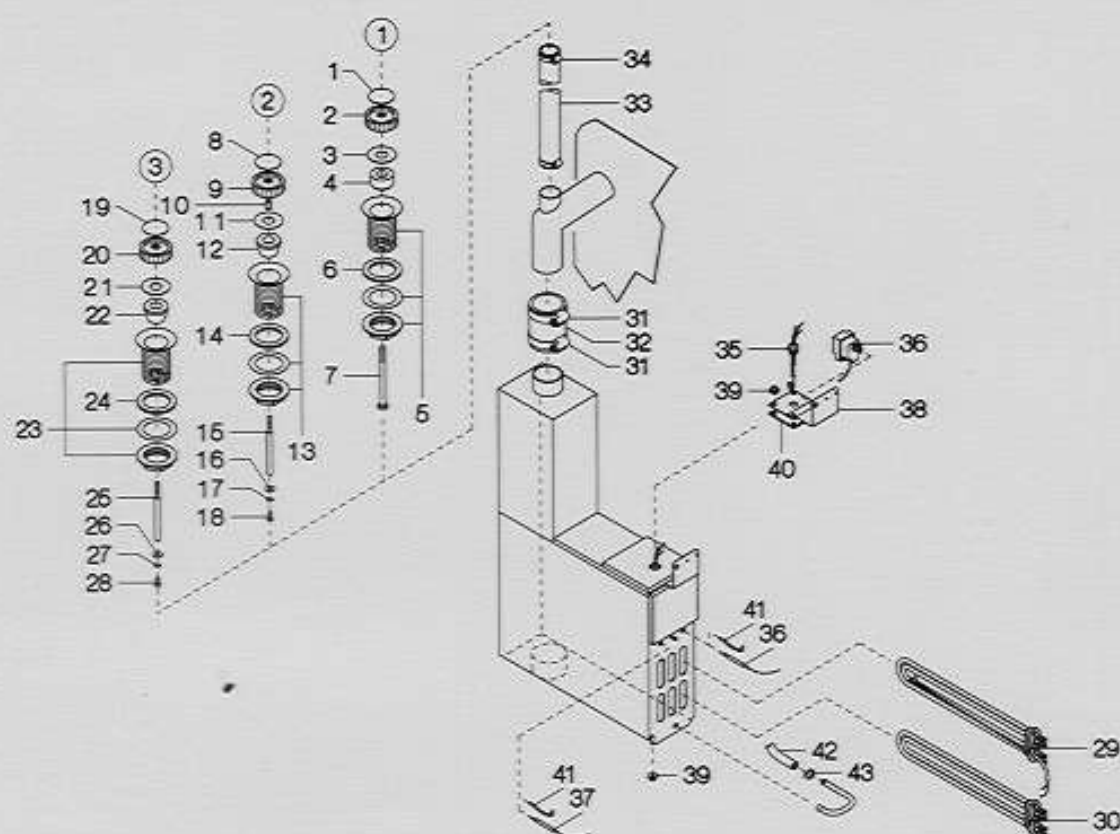


Pos.	Pcs.	Sp. Part No.	Description	Sign
-	1	8300.0072	steam generator complete	
-	1	8450.0200	safety valve complete (pos. 10 - 20)	
1	7	3004.3505	heating element 2x3 KW	
2	1	3004.3516	heating element 2x3 KW with thermocouple	
3	5	1106.0160	hex nut M6	
4	5	1206.0120	toothed lock washer A6,4	
5	1	2067.0401	steam hose 95 mm long	
6	2	2066.0505	hose clamp 70-90 mm	
7	1	3014.0314	thermostat	P3
8	2	2066.0504	steam generator hose clamp 40-60 mm	
9	1	2067.0205	steam hose 580 mm long	
10	1	1005.0660	hex socket head cap screw M 5x12	
11	1	1205.0360	spring washer	
12	1	1305.0260	washer A5,3	
13	1	2026.0400	guide bar	
14	1	2049.0800	cover plate, aluminium	
15	1	2020.0300	plastic handle for safety valve	
16	1	5012.0526	gasket	
18	1	2026.0200	cone for safety valve	
19	1	5012.0527	gasket	
20	1	2064.0101	valve body	
21	1	3002.0402	filling-level electrode 90 mm	S4
22	1	5012.0537	gasket	
23	1	1106.0801	hex-combi-nut M6	
24	1	2067.0128	pressure hose	
25	1	2066.0202	hose clamp	



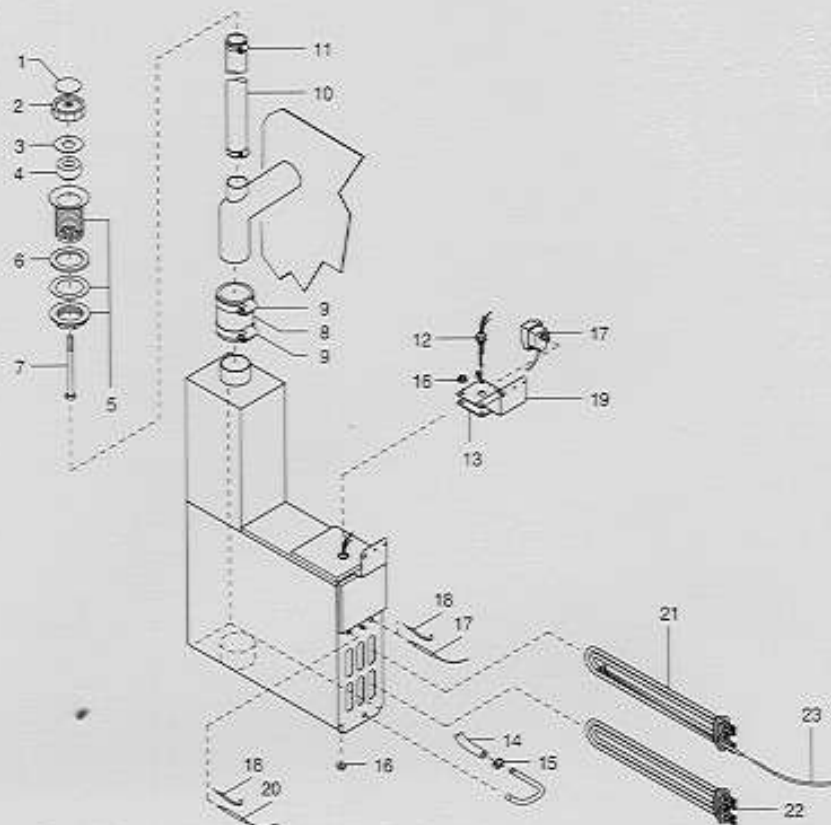
**Steam Generator**

Voltage	Group	Page	Edition	Application from Serial. No.
<b>3 N AC 380V 50Hz</b>	<b>4</b>	<b>4.1</b>	<b>4.1.3</b>	<b>20191042001</b>

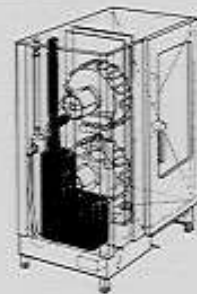


Pos.	Pcs.	Sp. Part No.	Description	Sign.	Pos.	Pcs.	Sp. Part No.	Description	Sign.
-	1	8450.0200	safety valve cpl. (version 1)		-	1	8300.0098	steam generator cpl.	
<b>version 1</b>					29	1	3004.4307	heating element 2x3kW thermocouple	
1	1	2049.0800	cover plate, aluminium		30	5	3004.4305	heating element 2x3kW	
2	1	2020.0301	plastic handle		31	2	2066.0505	hose clamp 70-90mm	
3	1	5012.0526	gasket		32	1	2067.0401	steam hose 95mm long	
4	1	2026.0201	cone		33	1	2067.0205	steam hose 580mm long	
5	1	5012.0527	gasket		34	2	2066.0504	hose clamp 40-60mm	
6	1	2064.0100	valve body		35	1	3002.0402	filling-level electrode 90mm	S4
7	1	1008.0764	hex screw M8x110		36	1	3014.0300	dry up protector	F5
<b>version 2</b>					37	1	3014.0314	thermostat steam generator	P3
8	1	2049.0800	cover plate, aluminium		38	1	2520.311089	holding angle	
9	1	2020.0301	plastic handle		39	5	1106.0801	hex-combi-nut M6	
10	1	2026.0301	plastic insert		40	1	5012.0537	gasket	
11	1	5012.0526	gasket		41	2	2544.101230	clamping plate	
12	1	2026.0201	cone		42	1	2067.0110	pressure hose 360mm long	
13	1	5012.0527	gasket		43	1	2062.0205	hose clamp 12-18mm	
14	1	2064.0100	valve body						
15	1	2026.0400	guide bar						
16	1	1305.0260	washer A5,3						
17	1	1205.0360	spring washer A5,3						
18	1	1005.0660	hex socked head screw M5x12						
<b>version 3</b>									
19	1	2049.0800	cover plate, aluminium						
20	1	2020.0300	plastic handle						
21	1	5012.0526	gasket						
22	1	2026.0201	cone						
23	1	5012.0527	gasket						
24	1	2064.0100	valve body						
25	1	2026.0400	guide bar						
26	1	1305.0260	washer A5,3						
27	1	1205.0360	spring washer A5,3						
28	1	1005.0660	hex socked head screw M5x12						

<b>Dampfgenerator</b> <b>Steam generator</b>	Spannung Voltage	Baugruppe Group	Ausgabe Edition	gültig ab Seriennummer Applicable from Serial.No.
	3 N AC 400V 50Hz	4	4.1.4	20196011001

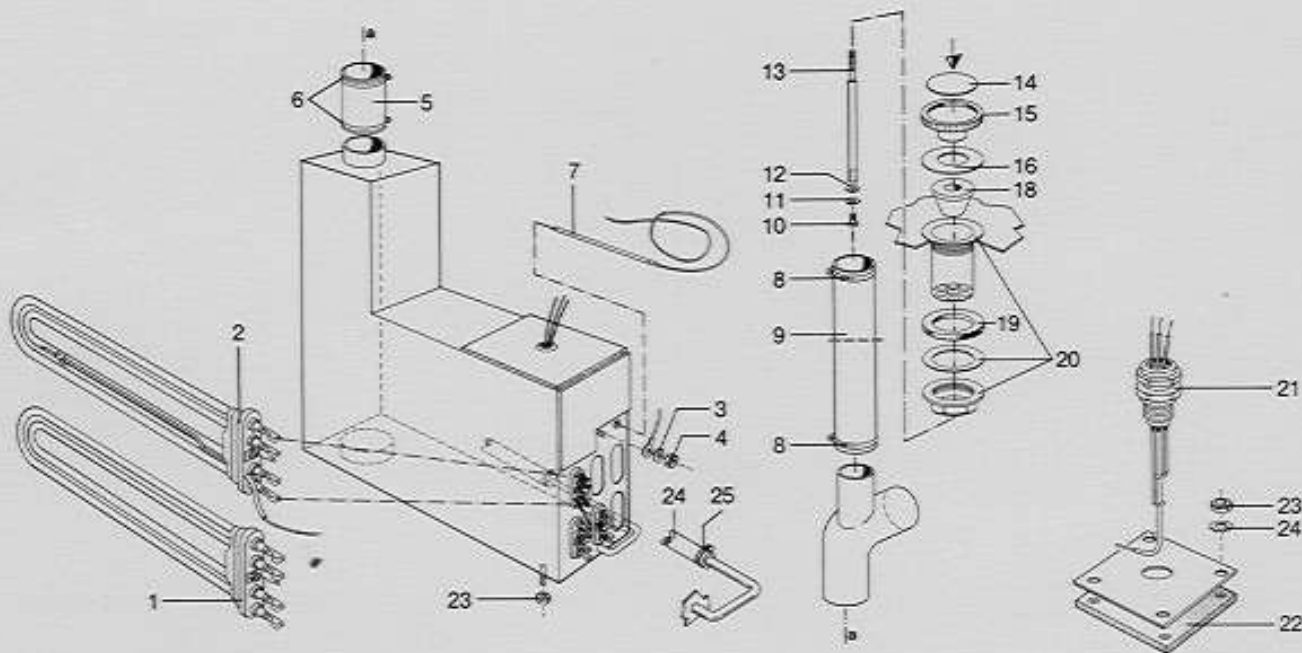


Pos.	St.	Ersatz.Nr.	Bezeichnung	Description
Pos.	Pcs.	Sp. Part No.		
-	1	8300.0098	SC-Dampfgenerator kpl.230V	SC-steam generator cpl. 230V
-	1	8450.0200	Sicherheitsventil komplett Typ 201/20	Safety valve for type 201/20
1	1	2049.0800	Alu-Deckschild für Sicherheitsventil	Cover plate aluminum for safety valve
2	1	2020.0301	Griffscheibe Sicherheitsventil	Plastic-handle for safety-valve
3	1	5012.0526	Dichtung für Sicherheitsventil	Gasket for safety valve
4	1	2026.0201	Verschlußkegel Sicherheitsventil	Cone for safety valve
5	1	2064.0101	Einfüllstutzen Typ 201/20	Safety valve housing type 201/20
6	1	5012.0527	Dichtung für Sicherheitsventilgehäuse	Gasket for safety valve housing
7	1	1008.0764	Sechskantschraube M8x110 f.Griffscheibe	Hex screw M8x110 for safety valve
8	1	2067.0401	Druckschlauch NW60 120mm lang	Steam hose NW60 120mm long
9	2	2066.0505	Schlauchschele 70-90mm	Hose clamp 70-90mm
10	1	2067.0205	Dampfschlauch NW42 580 mm lang	Steam hose 580mm long
11	2	2066.0504	Schlauchschele 40-60mm	Hose clamp 40-60mm
12	1	3002.0402	Füllstandselektrode 90mm Typ 101/201/20	Filling level electrode 90 mm type 101/201/20
13	1	5012.0537	Dichtung für Füllstandselektrode	Gasket for filling-level electrode
14	1	2067.0110	Druckschlauch NW10 360 mm lang	Pressure hose 360 mm long
15	1	2066.0205	Schlauchschele 12-18 mm	Hose clamp 12-18 mm
16	5	1106.0801	Sechskant-Combi-Mutter M6	Hex combination nut M6
17	1	3014.0300	Trockengehschutz 125°C	Dry up protector 125°C
18	2	2544.101230	Klemmblech Dampfgenerator	Clamping plate thermostat steam generator
19	1	2520.311089	Halterung für Trockengehschutz	Holder for dry up protector
20	1	3014.0314	Thermostat Dampfgenerator, 60°-180° C	Thermostat preheating steam generator
21	1	3004.4155	Tauchheizkörper 2x3kW 230V mit Fühlerrohr	Heating element 2x3kW 230V with sensor pipe
22	5	3004.4305	Tauchheizkörper 2x3kW 230V	Heating element 2x3KW 230V
23	1	3014.0165	Thermoelement Dampfgenerator	Thermo element steam generator



**Steam Generator**

Component Group	Page	Edition	applicable from Serial No.
<b>4</b>	<b>4.1</b>	<b>4.1.2</b>	<b>201 89 10 4001</b>



Pos.	Pcs.	Sp.	Part No.	Description	Sign
-	1		8300.0072	steam generator complete	
-	1		8450.0200	safety valve complete (pos. 10-20)	
1	7		3004.3505	heating element 2x3 KW	
2	1		3004.3516	heating element 2x3 KW with thermocouple	
3	5		1106.0160	hex nut M6	
4	5		1206.0120	toothed lock washer A6,4	
5	1		2067.0401	steam hose 95 mm long	
6	2		2066.0505	hose clamp 70-90 mm	
7	1		3014.0314	thermostat	P3
8	2		2066.0504	steam generator hose clamp 40-60 mm	
9	1		2067.0205	steam hose 580 mm long	
10	1		1005.0660	hex socket head cap screw M 5x12	
11	1		1205.0360	spring washer	
12	1		1305.0260	washer A5,3	
13	1		2026.0400	guide bar	
14	1		2049.0800	cover plate, aluminium	
15	1		2020.0300	plastic handle for safety valve	
16	1		5012.0526	gasket	
18	1		2026.0200	cone for safety valve	
19	1		5012.0527	gasket	
20	1		2064.0101	valve body	
21	1		3002.0402	filling-level electrode 90 mm	S4
22	1		5012.0537	gasket	
23	1		1106.0801	hex-combi-nut M6	
24	1		2067.0128	pressure hose	
25	1		2066.0202	hose clamp	